



## QuickShip Price Guide USD

All products in this Price Guide ship in  
approximately one week



## Contents

<b>CONDITION OF SALE, RETURN POLICY &amp; WARRANTY .....</b>	<b>3</b>
<b>SPECIFICATIONS .....</b>	<b>6</b>
<b>STUDY CARREL .....</b>	<b>7</b>
<b>HOODED DESK SCREEN .....</b>	<b>8</b>
<b>DESK RETROFIT SYSTEM.....</b>	<b>9</b>
<b>DESK SEPARATOR .....</b>	<b>10</b>
PLAIN .....	10
WINDOW .....	11
<b>DESK SCREEN .....</b>	<b>12</b>
RECTANGLE .....	12
HARDWARE .....	12
<b>RETURN SCREEN .....</b>	<b>13</b>
HARDWARE .....	13
<b>FREE STANDING SCREEN .....</b>	<b>14</b>
<b>WORK ZONE DIVIDER.....</b>	<b>15</b>
FLATLINE .....	15
LAZER .....	15
PIXELATED CIRCLES .....	16
HARDWARE .....	16

## CONDITION OF SALE, RETURN POLICY & WARRANTY

### DEFINITIONS

"Purchaser" refers to the organization or person who accepts a quotation or offer for the sale of "Goods" from the Seller.

"Seller" refers to [AYRSONICS HEAD OFFICE – 825 TRILLIUM DRIVE, KITCHENER, ONTARIO].

"Goods" or "Products" refers to the articles to be supplied to the Purchaser by the AYRSONICS. All "Products" are made-to-order, with the exception of raw materials such as sheets and hardware.

"Quotation" or "Quote" is the calculated cost on requested products based on specifications provided by the Purchaser to AYRSONICS.

"Order" refers to a purchase order, a blanket purchase agreement, a blanket purchase order, a job or work order, or other mechanism for ordering Products.

"Shop Drawings" refer to a set of drawings produced by AYRSONICS to depict Preliminary, Quote-Level, Proposal, Sign-off, Manufacturing, and Installation details pertinent to the successful completion of a project. All drawings are submitted to the Purchaser by AYRSONICS.

"Design Partner" refers to any organization or person who may make a significant contribution to the intellectual direction of a research proposal or a research project.

"Project" shall mean the research activities necessary to achieve the research, development, and /or formation, objective of a design proposal, or design idea. The deliverables of which address a technical or functional ability.

"Background Intellectual Property" refers to any and all intellectual property conceived, developed, made or acquired by AYRSONICS prior to the collaboration of a Project, with a Design Partner or Purchaser.

### GOVERNING PROVISIONS:

These Terms and Conditions govern any Quotation, Order Acknowledgment, Invoice, or any agreement, order, or sale that may result from any contract, and is expressly limited to and made conditional upon these Terms and Conditions becoming part of the Agreement between the Purchaser and the Seller [AYRSONICS]. Any variation to these Terms and Conditions contained herein, whether contained in a request for Quotation, Purchase Order, or other document by the Purchaser including any special Terms and Conditions agreed upon between the parties are hereby objected to and shall be inapplicable unless agreed to in writing by AYRSONICS.

### SALES QUOTE INFORMATION:

Acceptance of the quotation by the Purchaser constitutes a binding agreement. Prices quoted by AYRSONICS are based on standard ezoBord products as detailed in the Price and Product Guide and on information provided by the Purchaser. Any changes to standard ezoBord products including but not limited to size or pattern, will be classified as a "custom" product. Pricing of custom products is based on specifications provided by Purchaser and will be priced at the discretion of AYRSONICS. Additional charges may apply where the scope of work varies from that set out in the quote. Prices are prepared in Canadian dollars. Delivery and taxes may be subject to change and are based on point of transfer. AYRSONICS does not provide quotes for installation. Quotes are valid for a period of 30 days, after which pricing may change.

Possession of the ezoBord Price List or any other literature shall not imply AYRSONICS willingness to sell to the holders and shall not be constructed as a direct offer of sale. AYRSONICS reserves the right to make changes at any time and without prior notice to prices, colours, materials, specifications, design, and models offered in the price list, as well as discontinue product at any time without prior notice.

### ORDER INFORMATION:

AYRSONICS requires that all orders be submitted in writing. All orders which require fabrication shall include detailed shop drawings. Once all specifics (size, thickness, pattern, colour etc.) have been confirmed, the Purchaser will receive an Order Acknowledgment which will outline items ordered, pricing, ship-to and bill-to details. Orders submitted with missing, or incorrect information may delay lead times. A production date cannot be established until Purchaser has provided all related information and documents, such as deposit payments, and signed shop drawings pertaining to the order. If the Purchaser does not agree with any details outlined in the Order Acknowledgment, AYRSONICS must be notified by email within three business days of receiving the Order Acknowledgment. All orders are subject to a minimum net charge of \$250.

### SHOP DRAWINGS:

If the purchase order requires shop drawings, AYRSONICS shall coordinate all such drawings, will review them for accuracy, completeness, and compliance with purchase order requirements. Sign-off by Purchaser constitutes acceptance of all technical details depicted in the drawings; including all dimensions, colours, patterns, quantities, and design criteria. Sign-off is a requirement for the initiation of AYRSONICS fabrication. Information contained in the Shop Drawings are the sole property of AYRSONICS. Any reproduction in part or as a whole without the written permission of AYRSONICS is prohibited.

### RESEARCH, DEVELOPMENT, RESULTS, AND INTELLECTUAL PROPERTY:

The Purchaser and/or Design Partner agrees that any design proposal, shop drawing, or rendering, including but not limited to, specifications, formulae, improvements, processes, methods, techniques, prototypes, data, reports, or discoveries, contains proprietary information and material is owned by AYRSONICS and is protected by applicable intellectual property legislation. The Purchaser and/or Design Partner may not use the Intellectual Property for any purpose other than that contracted in a written agreement between AYRSONICS and the Purchaser. A written collaboration agreement shall be signed by the Purchaser and/or Design Partner before any research project is initiated. Purchaser and/or Design Partner agrees any Design Proposals or Research Project Design intent, preliminary design, or design development shall be performed by, in collaboration with, or under the direct supervision of AYRSONICS. All written and oral information and material disclosed or provided by AYRSONICS to the Purchaser is confidential information. The Purchaser shall use all reasonable endeavors not to disclose to any third party any Confidential Information nor use for any purpose except expressly permitted by AYRSONICS. Purchaser may be required to sign a Non-Disclosure Agreement. All background intellectual property used in connection with the Project shall remain the property of AYRSONICS. AYRSONICS has the right to reuse methods and approaches developed under this agreement in other projects for other purposes.

### PRINT PROGRAM:

A digital proof sign-off is required prior to manufacturing. Sign-off by Purchaser constitutes acceptance of all technical details depicted in the digital proof. A digital proof does not guarantee correct colour matching. Physical proof must be requested by Purchaser to verify final colour of product as there may be a variation between the digital proof and printed product. AYRSONICS shall not be liable for any deviations, errors, and faults that remained unnoticed in the proofs that were approved by the Purchaser or for any spelling or grammatical errors in the graphic file provided by the Purchaser.

### CHANGES AND CANCELLATIONS:

After AYRSONICS acknowledgment of a Purchaser's order, the order may not be changed or canceled by Purchaser without the written consent of AYRSONICS. Orders already in production

may not be eligible for cancellation or change, or may be subject to a cancellation fee, restocking fee, and payment for all product which has been cut, at the discretion of AYRSONICS management. If the order requires major changes, the order may be sent back to the quoting department for new pricing. [Major changes may include but are not limited to the addition of new items, dimension, pattern, and design feature changes]. Sheet order changes after payment may be subject to a cancellation or a change order fee of 25%. AYRSONICS reserves the right to cancel an order at any time.

#### RETURNS, CLAIMS, AND INQUIRIES:

All return requests are handled by AYRSONICS authorized dealers or AYRSONICS Customer Service Department. All return requests must be submitted within 30 days from date of receipt. No returns of goods will be accepted without consent and shipping instructions from AYRSONICS. If authorized, Purchaser must complete AYRSONICS Product Return Request Form and ship all product to AYRSONICS within one week of receiving the Product Return Request Form. All authorized return of goods must be securely packaged by the Purchaser in order to reach AYRSONICS without damage. A minimum restocking charge of 50% on fabricated products, is made on all authorized returns for credit or refund, provided goods are received by AYRSONICS in the condition in which they left the factory. Raw materials such as sheets and hardware are subject to a minimum 25% restocking fee. No credit will be given if goods cannot be reused. Custom order items are in no event subject to return.

#### PRICE AND PAYMENT:

All published prices are list prices. Prices on an Order Acknowledgment are net. Any products sold is the property of AYRSONICS and shall remain AYRSONICS property until fully paid. The Purchaser agrees to perform all acts which may be necessary to assure retention of title to such products to AYRSONICS, until such time as the goods have been paid for in full. Invoices will be sent by AYRSONICS to the Purchaser and will be as detailed in the Order Acknowledgment and in accordance with the agreed schedule in the Order Acknowledgment. Not included in the list price is special or export packing, freight, unpacking or installation. A 50% deposit amount against the total amount of the project, is required for Cash in Advance Purchasers, prior to scheduling production. The 50% final payment must be received by AYRSONICS prior to shipping. Sheet orders require a 100% deposit for Cash in Advance Purchasers.

#### N15 TERMS:

Purchaser on terms shall pay invoices within 15 days after the date of shipment or pickup, subject to the Purchaser passing credit approval. All payments are fully due. Purchaser agrees not to withhold payment on any invoice because of partial delivery or open punch list items. If payment is not received by the due date, interest will accrue on all unpaid amounts at the rate of 1.5 % per month. Custom orders may be subject to a 50% deposit. Maximum account Credit limit is \$50,000, unless otherwise authorized in writing by AYRSONICS. Accounts with an overdue balance in excess of 15 days may be subject to having their terms revoked. All claims arising from invoices must reach AYRSONICS within five (5) business days from the date of the invoice.

#### SUSPENSION:

In the event that the Purchaser defaults in the payments of any sum due to AYRSONICS, or in the event that the Purchaser's financial condition becomes unsatisfactory to AYRSONICS, AYRSONICS shall have the right, upon notice to the Purchaser, to suspend or discontinue shipment of any Goods until payment has been remitted without incurring any liability to the Purchaser for non-delivery or delay in delivery.

Cash payment or security satisfactory to AYRSONICS may be required by AYRSONICS for future deliveries. AYRSONICS may require cash payments in advance for future deliveries, or may terminate any contract in total, and the Purchaser shall be liable for all costs incurred by AYRSONICS including but not limited

to, attorney fees, collection agency fees, accrued interest, and administrative fees.

#### TAXES:

Prices are in the currency indicated on the AYRSONICS Order Acknowledgment. The prices shown in the ezoBord price list do not include any provincial, or federal, or local taxes. All such taxes applicable to the sale of the products are the responsibility of the Purchaser and any tax or taxes will be added to the invoice as a separate charge to be paid by the Purchaser. If the Purchaser claims an exemption from any tax, the Purchaser shall submit to the Seller the appropriate exemption certificates.

#### CODE RESTRICTION:

All ezoBord products may be subject to fire and/or building codes applicable to the specific purpose they are being purchased for. However, since codes may vary from area to area, the Purchaser is solely responsible for the proper application of the purchased ezoBord items within the limitation of such codes.

#### TOLERANCES:

All dimensions must be limited by a specified tolerance. When not specified it is understood that AYRSONICS normal tolerances and standards shall apply. Dimensions in the ezoBord price list are shown in both inches and mm. The metric dimensions are the more accurate, that is, imperial dimensions may be rounded up or down. When Purchaser has submitted own plans and/or specifications, AYRSONICS will not be responsible for the design and fitting of parts. The conforming of AYRSONICS products to the specified tolerance is sufficient evidence as to the correctness of the product. Standards of finish, quality, and appearance shall, unless specified in writing, be the normal standards of AYRSONICS.

#### LIMITED WARRANTY:

AYRSONICS warrants the construction and the finish of all our products to be free from defects in materials, and workmanship for a period of one (1) year from the date of purchase. This warranty does not apply to components not manufactured by AYRSONICS which are subject to the specific warranties of those manufacturers, if any. AYRSONICS cannot be held responsible for variations in dye lot from order to order. All ezoBord sheet goods are subject to a reasonable degree of variation in colour and material thickness. This possibility should be expected by the Purchaser. Repair or replacement of any defective component covered by the AYRSONICS warranty will be made at no charge to the original Purchaser during the warranty period. Labor required to facilitate the repair or replacement will be the responsibility of the original selling dealer. This warranty policy does not apply to defects resulting from negligence, misuse, alteration, improper cleaning, stains, or accidents. AYRSONICS judgment will be final in all matters concerning the condition of the products, the cause or nature of the defect, and the necessity or manner of repair. This warranty applies to products sold in Canada only, and is made only to the original Purchasers acquiring our products through authorized dealers, directly from AYRSONICS, or from other specifically authorized to sell our products.

#### SHIPPING:

At time of order entry, Purchaser must select one of two methods of freight payment.

1.Ex Works - point of shipment, freight collect

2.Freight On Board (F.O.B)

Unless otherwise agreed upon in writing, delivery of the Goods shall take place at the address specified by the Purchaser on the date specified by AYRSONICS. The Purchaser shall make all arrangements necessary to take delivery of the Goods whenever they are tendered for delivery. The date of shipment specified by AYRSONICS is an estimate only. Time for delivery shall not be of the essence of the contract. If AYRSONICS is unable to ship the Goods for reasons beyond its control, then AYRSONICS shall be entitled to place the Goods in storage until such a time as delivery may be effective.

#### RISK, TITLE, AND FREIGHT CLAIMS:

If Goods are sold via Ex Works, the Purchaser incurs all transport costs. AYRSONICS is not responsible for damage which may occur in transit or in storage.

The carrier signs for all goods received and it is the Purchaser's responsibility to examine goods upon receipt and to file any claims for any concealed damage to the products in accordance with the carrier's terms and conditions, within five (5) days of delivery. All packaging should be retained for inspection by the carrier. Failure by the Purchaser to make any claim against AYRSONICS within five (5) days shall constitute acceptance of the goods and a waiver of the right to return due to defects, errors or shortages.

If Purchaser chooses to have AYRSONICS arrange for shipping, the Goods are F.O.B, and FREIGHT is added to the order/invoice as a separate line item. AYRSONICS will ship the Products using their preferred freight carrier. Risk of loss or damage to the Products shall transfer to the Purchaser from the time of delivery or deemed delivery. The Purchaser shall be entitled to replacement Goods where the Goods have been damaged during transportation. The Purchaser must notify AYRSONICS within 24 hours of receipt of Goods. Packing slip must be signed off as "received as damaged at the time of receipt" by the Purchaser. Ownership/ title of the Products shall not pass to the Purchaser until AYRSONICS has received payment in full for all the Products and all other sums due to AYRSONICS from the Purchaser on any account. In the event that AYRSONICS does not receive payment, AYRSONICS reserves the right to reclaim all delivered Goods.

#### METHODS OF SHIPPING AND ROUTING:

AYRSONICS reserves the right to select the method of transportation and carrier of choice for any shipment. If product is shipped to the Purchaser's or dealer's dock, such docking facilities shall be equipped to handle a 53' tractor trailer with appropriate personnel to off-load the truck. Neither AYRSONICS nor the carrier is responsible for offloading the truck. Product that cannot be delivered as above may be delivered to a warehouse, with redelivery at Purchaser's expense.

If requested shipping date is more than 90 days from the date of order, AYRSONICS shall have the right to use the published list price effective at the time of shipment. After 30 days beyond the completion date the order may be subject to storage fees. AYRSONICS will not accept charges for expense incurred by the Purchaser in expediting shipments. AYRSONICS will not accept charges for the repair of damage by others.

#### STORAGE:

In the event the Purchaser requests postponement of delivery beyond the scheduled shipping date after the Goods have become work in progress, or at the time when AYRSONICS is about to make shipment, AYRSONICS may transfer the Goods to storage for Purchaser's account and at Purchaser's risk and expense. Such transfer to storage shall be deemed delivery to Purchaser for all purposes, including invoicing and payment. After 30 days, the Purchaser may be subject to a minimum of \$50/month or \$1.50/square foot/month in storage fees.

#### DELAYS:

AYRSONICS Order Acknowledgment will state a shipping date which is AYRSONICS best estimate at the time the order is acknowledged. However, AYRSONICS shall not incur any obligation or liability to Purchaser for failure to arrive by a specified date.

#### FORCE MAJEURE:

AYRSONICS shall not be under any liability for any failure to supply goods or otherwise to perform the contract from any cause whatsoever beyond AYRSONICS direct control. AYRSONICS shall not be liable for any loss or damage resulting from any delay or failure in shipment or order failure to perform all or any part of the agreement between the parties with respect to the goods shown on the order acknowledgment where such delay, failure, loss, or damage is the proximate result of any act of any government authority or political subdivision thereof, revolution, riot, civil disorder or disturbance, act of enemies, delay or default in transportation, strike disputes among or between labor unions or other labor disputes, delay or inability in obtaining material and facilities, fire, flood, act of God or any cause not within reasonable control of the company, whether of the class of causes enumerated or otherwise. Without limiting the generality of the foregoing, AYRSONICS may, without causing breach or incurring liability, allocate goods which are in short supply, irrespective of the reasons therefore, among Purchasers, in any manner which AYRSONICS, in its sole discretion, deems advisable.

## SPECIFICATIONS

### Colors

30 standard offerings between 9mm (3/8") and 12mm (1/2"). Colours vary by thickness.

### Composition

100% Polyester (min 50% (+/-) recycled PET fibre.

### Thickness

Available in two thicknesses: 9mm (3/8") and 12mm (1/2")

### Weight

9mm (3/8"): 8.5lbs (+/- 5%) and 12mm (1/2"): 16lbs (+/- 5%)

### Stiffness

70 (Shore Durometer) minimum

### Dimensions

9mm (3/8"): 48" (1206.5mm) x 96" (2413mm) (+/- 1mm) standard sizing.

12mm (1/2"): 48" (1206.5mm) x 108" (2717.8mm) (+/- 1mm) standard sizing.

### Fire Testing

ASTM E-84 Class A / CAN ULC S102-10. (9mm material meets Class A rating. Class A Treatment available on 12mm material for a surcharge)

### Environment

Made with recycled polyester fiber, 50% +/- of which comes from recycled water bottles which contributes to LEED MR credit of Recycled content.

Free of adhesives and formaldehyde. VOC free.

### Acoustics

Refer to ASTM C423 test chart for specific absorption rates/frequency.

9mm (3/8") ASTM C423/D: NRC = 0.75; ASTM C423/A: NRC = 0.30

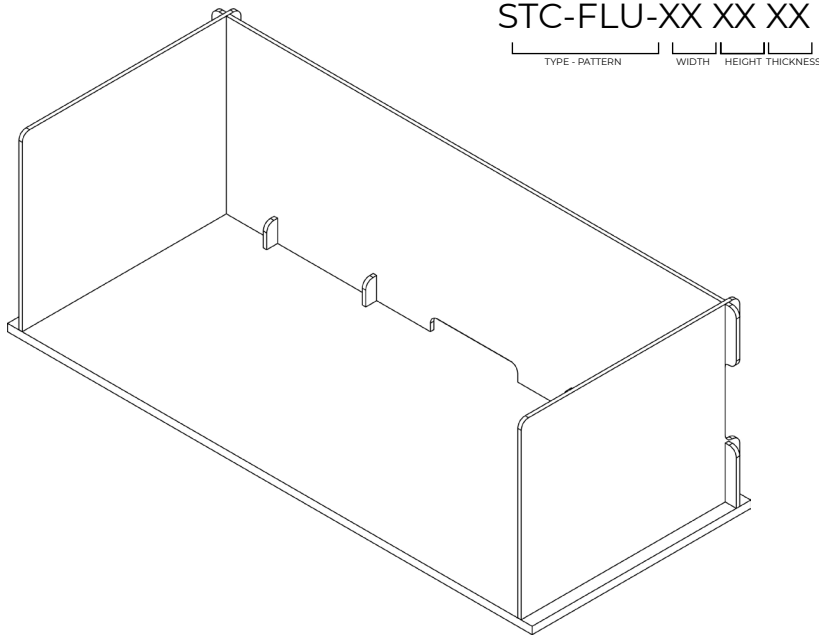
12mm (1/2") ASTM C423/D: NRC = 0.80; ASTM C423/A: NRC = 0.40

### Product Variances

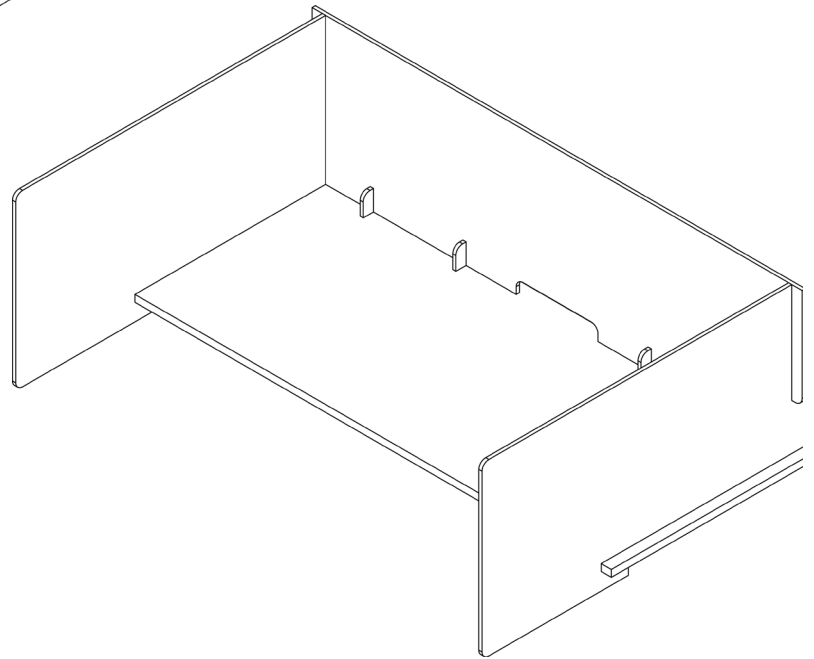
Variation in fiber mix and colour may occur. All products will be supplied within commercial tolerances.

### General

Tackable, impact resistant, bacteria resistant, moisture resistant, installation friendly.



STC-EXT-XX XX XX  
TYPE - PATTERN    WIDTH    HEIGHT THICKNESS



**STC-FLU-306024**

Study Carrel Flush Mount 30" Deep x 60" Wide x 24" Tall, 12mm Thick

12mm (1/2") Colours **\$506**

**STC-FLU-307224**

Study Carrel Flush Mount 30" Deep x 72" Wide x 24" Tall, 12mm Thick

12mm (1/2") Colours **\$538**

**STC-EXT-486021**

Study Carrel Extended Privacy 30+18" Deep x 60" Wide x 21" Tall, 12mm Thick

12mm (1/2") Colours **\$636**

**STC-EXT-487221**

Study Carrel Extended Privacy 30+18" Deep x 72" Wide x 21" Tall, 12mm Thick

12mm (1/2") Colours **\$665**

**Factory-applied anti-microbial treatment**

**\$115**

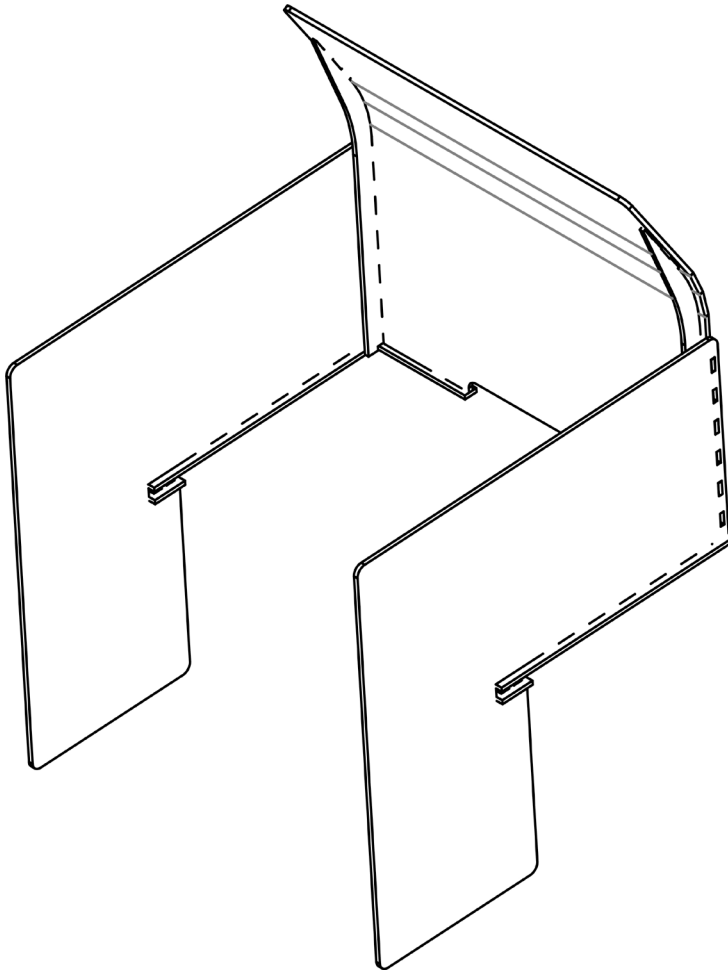
Hardware NOT required



# HOODED DESK SCREEN

PRODUCTS SHIP IN APPROX. 1 WEEK

STC-HOO- XX XX XX XX  
TYPE - PATTERN    WIDTH    DEPTH    HEIGHT    THICKNESS



## STC-HOO-48242412

Hooded Desk Screen 48" Deep x 24" Wide x 24" Tall, 12mm Thick

12mm (1/2") Colours **\$1387**

**Factory-applied anti-microbial treatment**

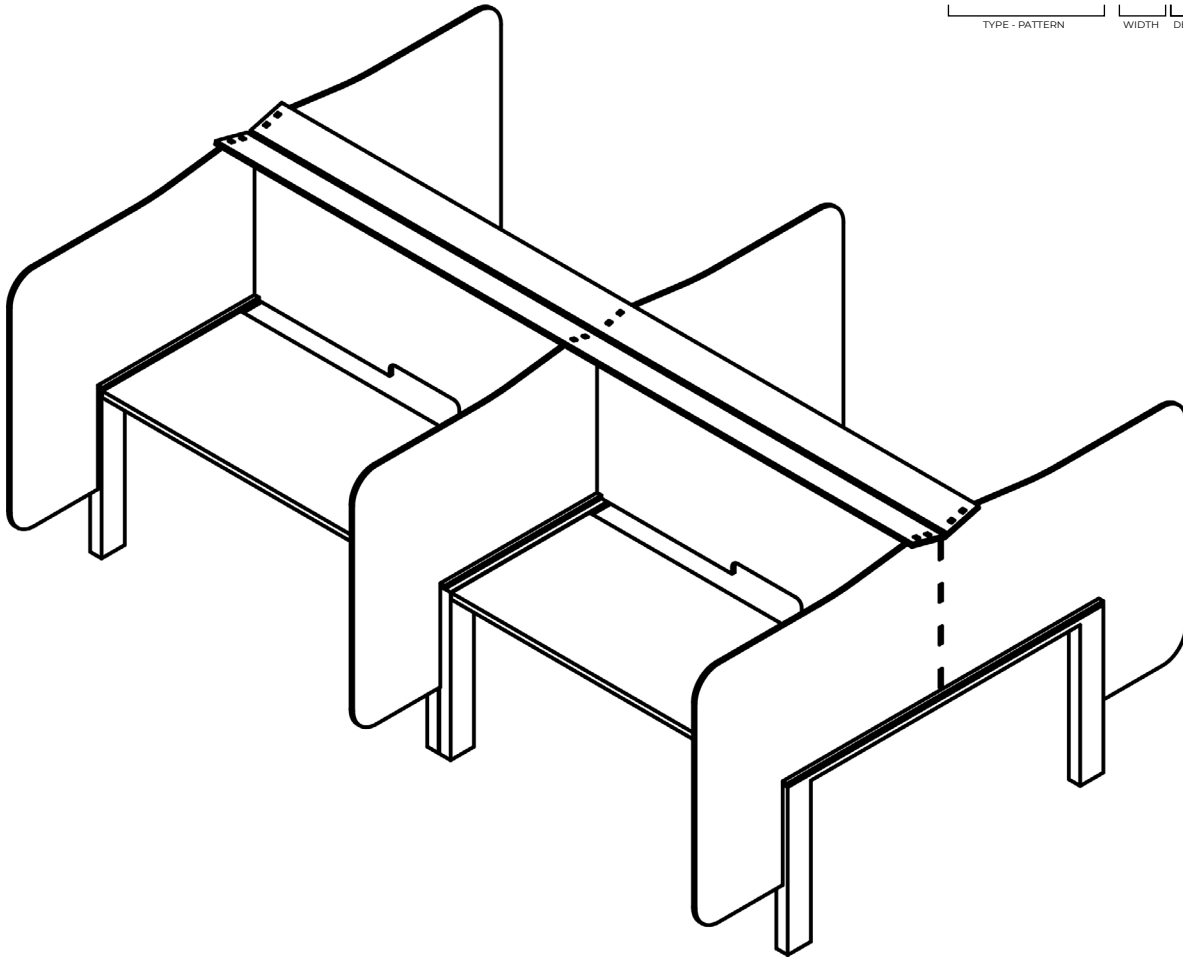
**\$230**

Hardware NOT required

# DESK RETROFIT SYSTEM

PRODUCTS SHIP IN APPROX. 1 WEEK

DRS-2X2- XX XX XX XX  
TYPE - PATTERN    WIDTH    DEPTH    HEIGHT THICKNESS



**DRS-2X2-60242412**  
Desk Retrofit System 60" Deep x 24" Wide x 24" Tall, 12mm Thick

12mm (1/2") Colours **\$3502**

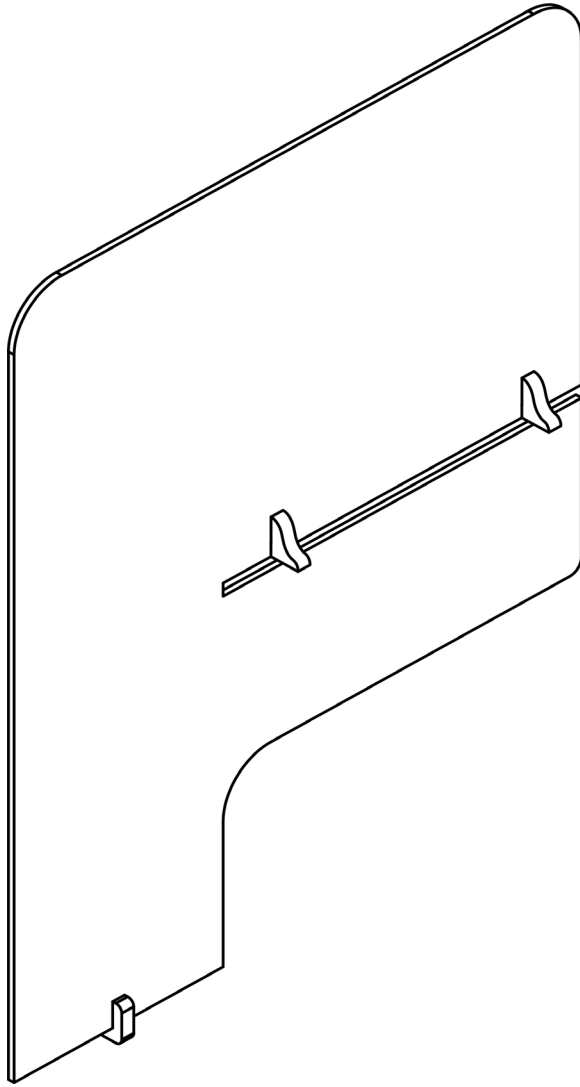
**Factory-applied anti-microbial treatment**

**\$575**

Hardware NOT required

# DESK SEPARATOR PLAIN

PRODUCTS SHIP IN APPROX. 1 WEEK



DSP-30D- 48 59 12  
TYPE - PATTERN      WIDTH      HEIGHT      THICKNESS

## DSP-24D-485312

Desk Separator Plain, for 24" Deep Work Surface, 24" Above-Surface Height

12mm (1/2") Colours **\$610**

## DSP-24D-485912

Desk Separator Plain, for 24" Deep Work Surface, 30" Above-Surface Height

12mm (1/2") Colours **\$650**

## DSP-30D-485312

Desk Separator Plain, for 30" Deep Work Surface, 24" Above-Surface Height

12mm (1/2") Colours **\$610**

## DSP-30D-485912

Desk Separator Plain, for 30" Deep Work Surface, 30" Above-Surface Height

12mm (1/2") Colours **\$650**

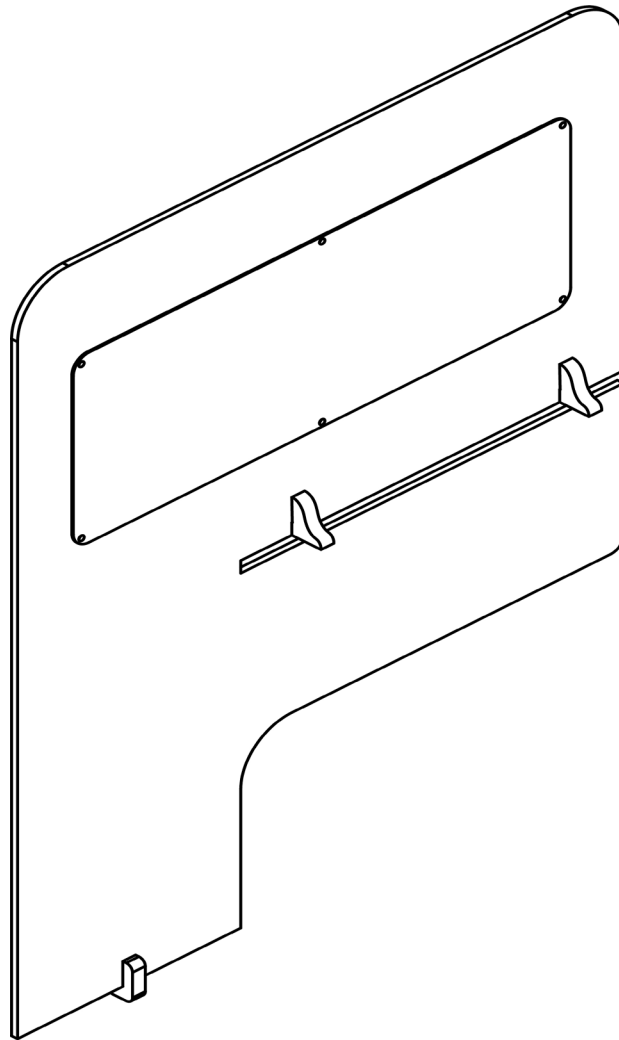
**Factory-applied anti-microbial treatment**

**\$60**

Hardware NOT required

# DESK SEPARATOR WINDOW

PRODUCTS SHIP IN APPROX. 1 WEEK



DSW-30D- 48 59 12  
TYPE - PATTERN      WIDTH      HEIGHT THICKNESS

**DSW-24D-485312**

Desk Separator with Window, for 24" Deep Work Surface, 24" Above-Surface Height

12mm (1/2") Colours **\$925**

**DSW-24D-485912**

Desk Separator with Window, for 24" Deep Work Surface, 30" Above-Surface Height

12mm (1/2") Colours **\$970**

**DSW-30D-485312**

Desk Separator with Window, for 30" Deep Work Surface, 24" Above-Surface Height

12mm (1/2") Colours **\$925**

**DSW-30D-485912**

Desk Separator with Window, for 30" Deep Work Surface, 30" Above-Surface Height

12mm (1/2") Colours **\$970**

**Factory-applied anti-microbial treatment**

**\$60**

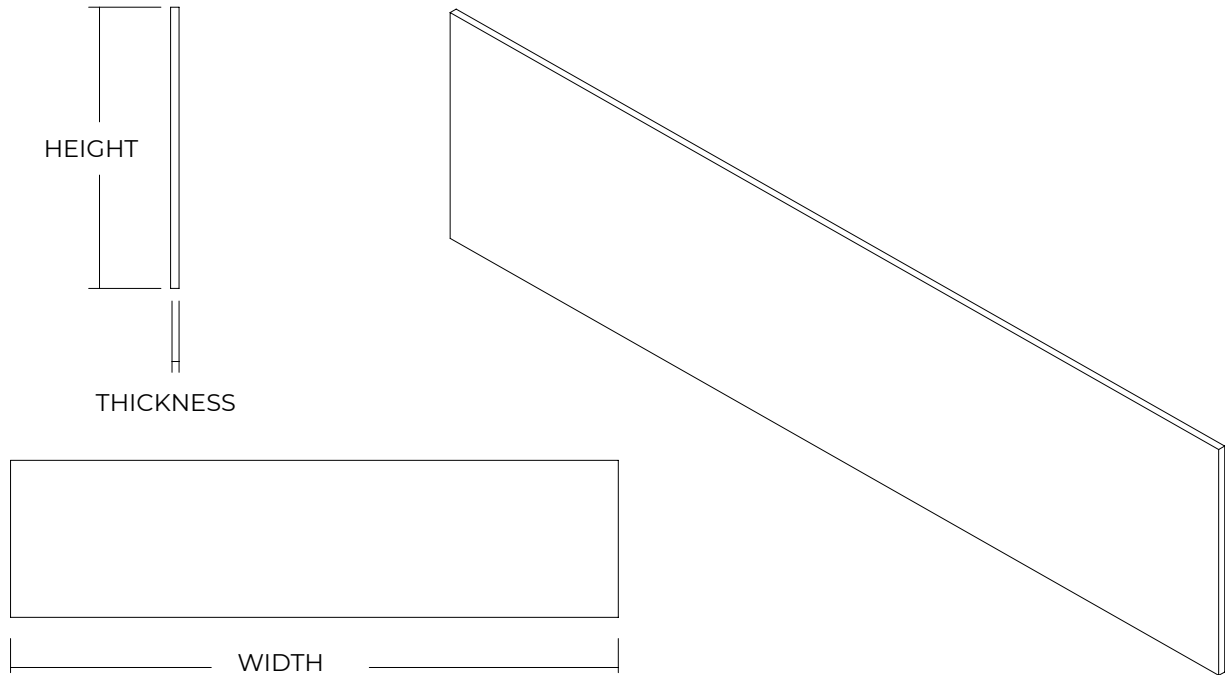
Hardware NOT required

# DESK SCREEN RECTANGLE

PRODUCTS SHIP IN APPROX. 1 WEEK

## DSC-REC-XX 24 12

TYPE - PATTERN      WIDTH      HEIGHT THICKNESS



### DSC-REC-##2412

Width, 24" (609.6mm) Height, 12mm (1/2") Thickness

12mm (1/2") Colours **\$60/linear ft**

**Factory-applied anti-microbial treatment**

**\$7/linear ft**

Tall Desk Screens are available in 47.5", 60", and 72" widths. Contact [sales@ayrsonics.com](mailto:sales@ayrsonics.com) for custom sizing options.

## HARDWARE

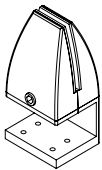


### SURFACE MOUNT DESK SCREEN BRACKET / PJ3

Compatible with material 12mm, or 18mm thick.  
Mounting screws not included.

**\$34**

Sold Individually



### UNDER MOUNT DESK SCREEN BRACKET / PJ4

Compatible with material 12mm or 18mm thick.  
Surface thickness limited to 1" - 1 1/4"  
Mounting screws not included.

**\$40**

Sold Individually



### ezoFoot

**\$7**

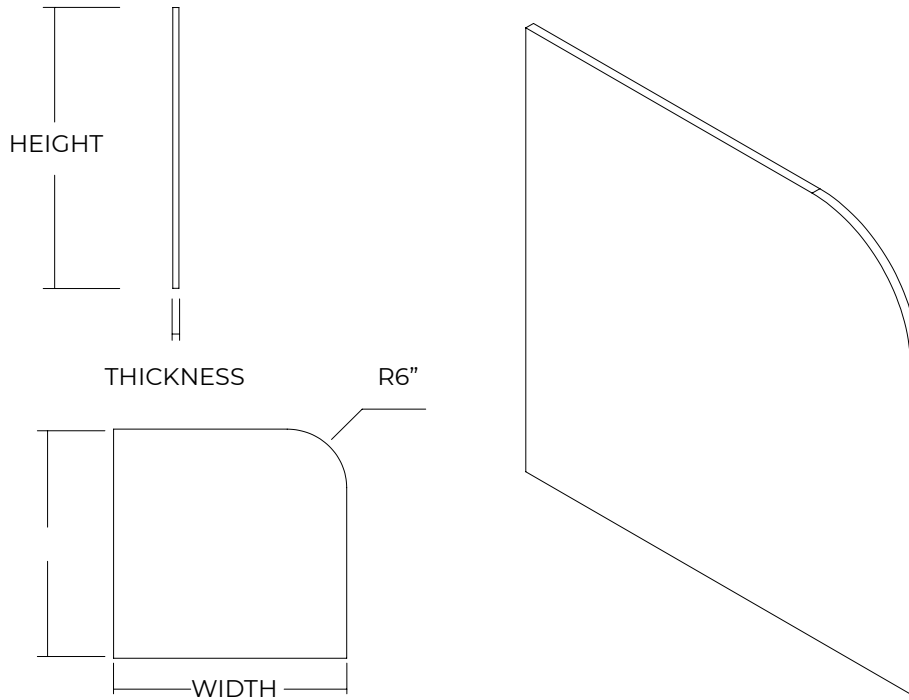
Sold Individually

# RETURN SCREEN

PRODUCTS SHIP IN APPROX. 1 WEEK

RTS-RND-XX XX XX

TYPE - PATTERN      WIDTH      HEIGHT THICKNESS



## RTS-RND-242412

24" (609.6mm) Width, 24" (609.6mm) Height, 12mm (1/2") Thickness

12mm (1/2") Colours **\$200**

## RTS-RND-302412

30" (762mm) Width, 24" (609.6mm) Height, 12mm (1/2") Thickness

12mm (1/2") Colours **\$227**

**Factory-applied anti-microbial treatment**

**\$7/linear ft**

## HARDWARE

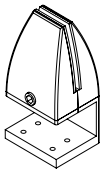


### SURFACE MOUNT DESK SCREEN BRACKET / PJ3

Compatible with material 12mm, or 18mm thick.  
Mounting screws not included.

**\$34**

Sold Individually

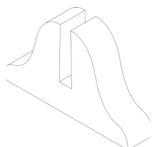


### UNDER MOUNT DESK SCREEN BRACKET / PJ4

Compatible with material 12mm or 18mm thick.  
Surface thickness limited to 1" - 1 1/4"  
Mounting screws not included.

**\$40**

Sold Individually



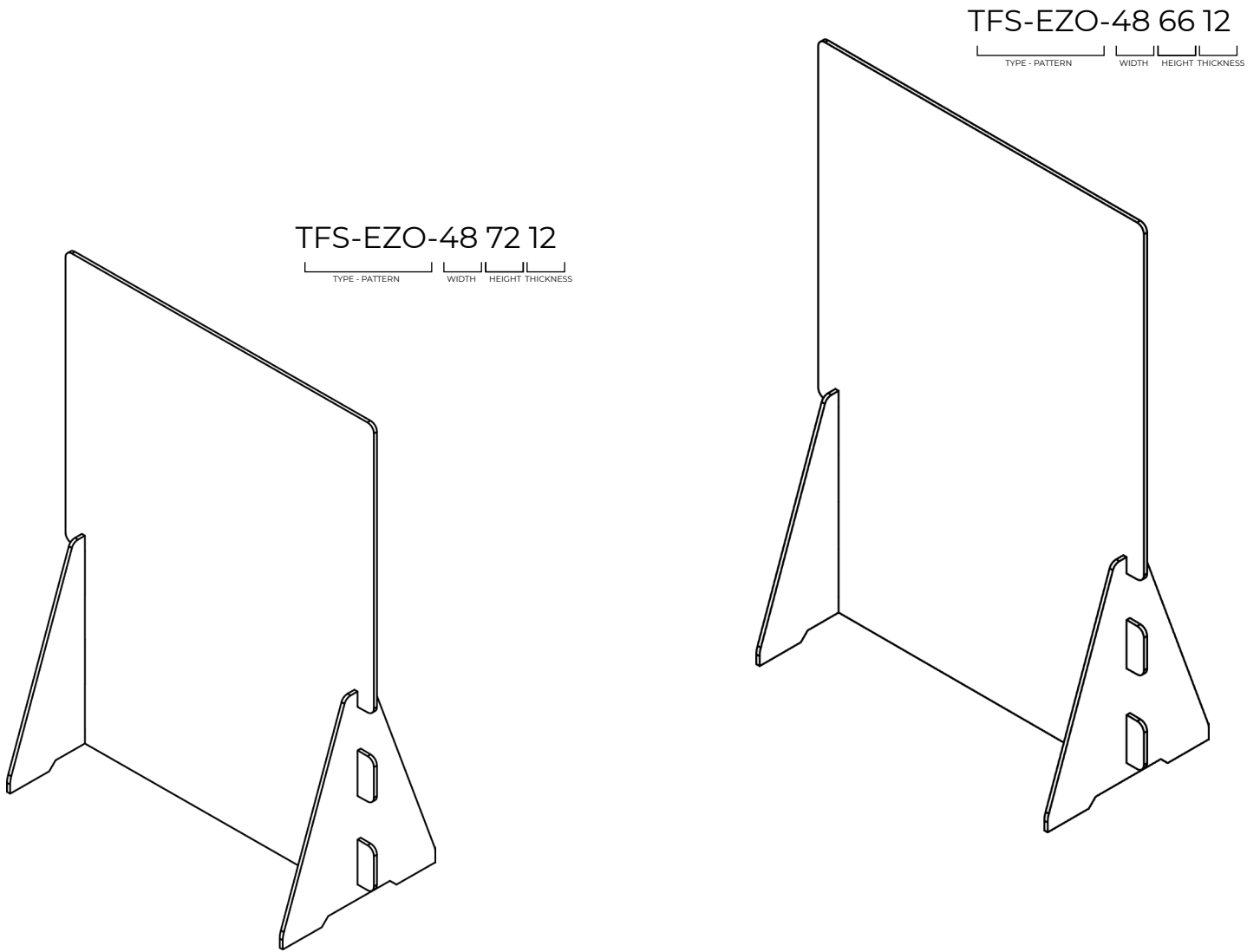
### ezoFoot

**\$7**

Sold Individually

# FREE STANDING SCREEN

PRODUCTS SHIP IN APPROX. 1 WEEK



**TFS-EZO-486612**  
Tall Free-Standing Privacy Screen 47.5" Wide x 66" Tall x 12mm Thick

12mm (1/2") Colours **\$720**

**TFS-EZO-487212**  
Tall Free-Standing Privacy Screen 47.5" Wide x 72" Tall x 12mm Thick

12mm (1/2") Colours **\$748**

**Factory-applied anti-microbial treatment**

**\$115**

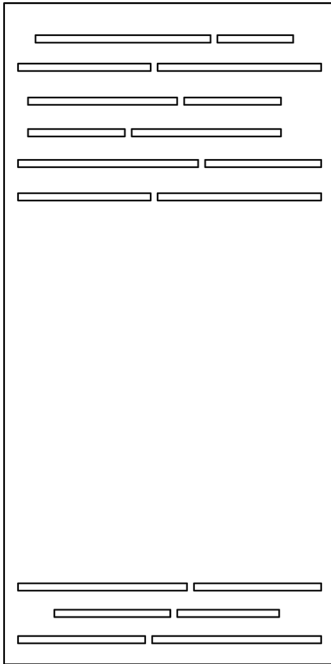
## WORK ZONE DIVIDER FLATLINE

PRODUCTS SHIP IN APPROX. 1 WEEK

Work Zone Divider Low Opening Flatline in any 9mm (3/8") colour. 47.5" (1207mm) x 95" (2413mm) **\$895**  
Work Zone Divider Low Opening Flatline in any 12mm (1/2") colour. 47.5" (1207mm) x 95" (2413mm) **\$1090**

Factory-applied anti-microbial treatment

**\$115**



WZL-FLA-48 96 09  
TYPE - PATTERN      WIDTH      LENGTH      THICKNESS

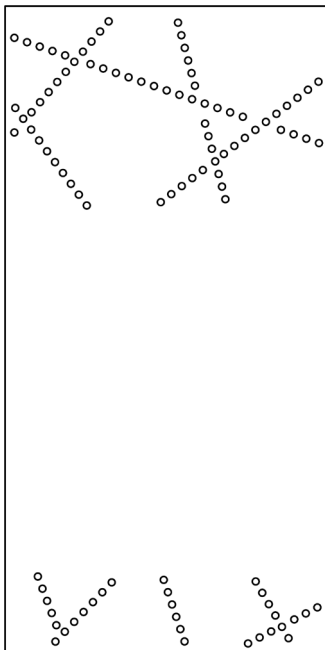
WZL-FLA-48 96 12  
TYPE - PATTERN      WIDTH      LENGTH      THICKNESS

## WORK ZONE DIVIDER LAZER

Work Zone Divider Low Opening Lazer in any 9mm (3/8") colour. 47.5" (1207mm) x 95" (2413mm) **\$895**  
Work Zone Divider Low Opening Lazer in any 12mm (1/2") colour. 47.5" (1207mm) x 95" (2413mm) **\$1090**

Factory-applied anti-microbial treatment

**\$115**



WZL-LZR-48 96 09  
TYPE - PATTERN      WIDTH      LENGTH      THICKNESS

WZL-LZR-48 96 12  
TYPE - PATTERN      WIDTH      LENGTH      THICKNESS



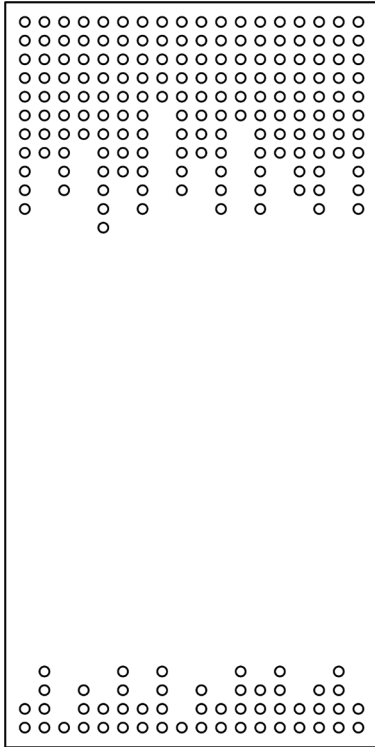
# WORK ZONE DIVIDER PIXELATED CIRCLES

PRODUCTS SHIP IN APPROX. 1 WEEK

Work Zone Divider Low Opening Pixelated Circles in any 9mm (3/8") colour. 47.5"(1207mm) x 95" (2413mm) **\$895**  
 Work Zone Divider Low Opening Pixelated Circles in any 12mm (1/2") colour. 47.5"(1207mm) x 95" (2413mm) **\$1090**

**Factory-applied anti-microbial treatment**

**\$115**



WZL-PXC-48 96 09  
TYPE - PATTERN      WIDTH      LENGTH      THICKNESS

WZL-PXC-48 96 12  
TYPE - PATTERN      WIDTH      LENGTH      THICKNESS

## HARDWARE



### UPPER SUSPENSION HOUSING / CF6-01

Ceiling fitting to be used with additional hardware.  
 Includes 13'-1 1/2" (4m) of cable.  
 Brass Locator accepts #8 Screws, not included.

**\$38**

Sold Individually

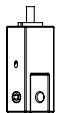


### LOWER SUSPENSION HOUSING / CF6-02

For use with Wire Suspension Track.  
 Includes 13'-1 1/2" (4m) of wire.  
 Not intended for ceiling suspension applications.

**\$50**

Sold Individually



### ADJUSTABLE COMBINATION CLAMP / CBG-C

Compatible with Upper and Lower Suspension Housing.  
 Intended for use with 9mm (3/8") and 12mm (1/2") material. Specify placement on material for use with larger thicknesses.

**\$50**

Sold Individually



### WIRE SUSPENSION TRACK XC-04-1000

39" (1000mm)  
 To be used with Upper and/or Lower Suspension Housing.  
 Specify brass slot nuts for housing attachments.

**\$112**

Sold Individually



### T-Bar Clip w/ Rivets

**\$7**

Sold Individually