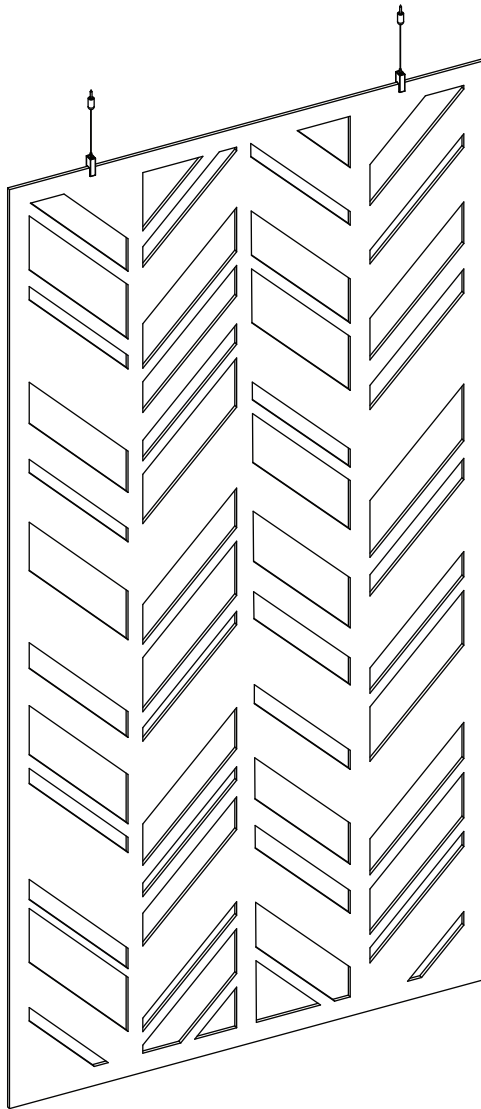




Design Driven Acoustics

UPPER SUSPENSION HOUSING



WORK ZONE DIVIDER



BRASS LOCATOR



TOP CAP
(4M CABLE INCLUDED)



EZO CLAMP

*Images reflect typical hardware options. Please refer to packing list for items & quantities specific to your order.

Thank you for your order!

For questions or concerns regarding your order or installation
please contact customer service at 1-844-441-1122 or
via email at sales@ayrsonics.com

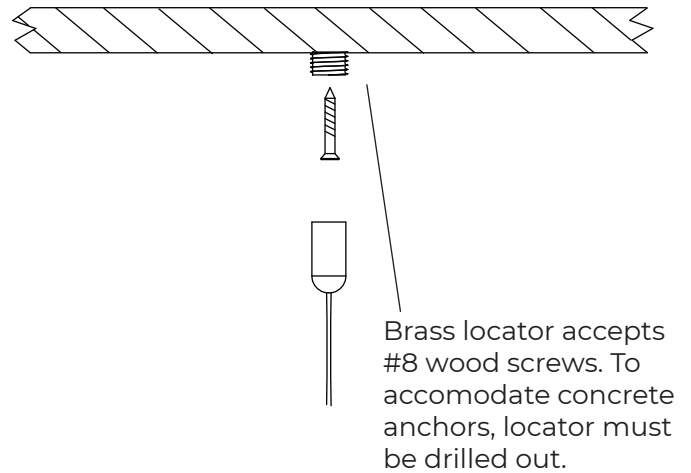
www.ezobord.com

WORK ZONE DIVIDER UPPER SUSPENSION HOUSING

1 Locate available pick points on ceiling in relation to WZD suspension locations.
(Recommended 6-12" inset)

2 Mount brass locator securely onto ceiling with substrate appropriate fasteners(not included)

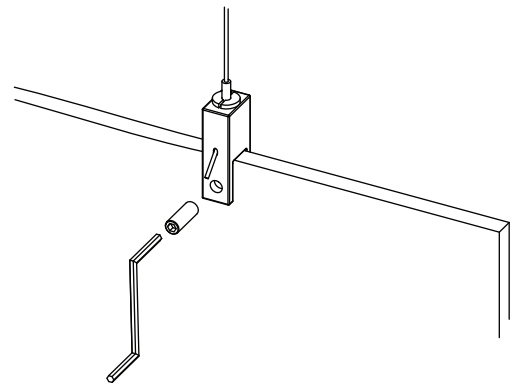
3 Thread top cap onto brass locator by hand only



4 Determine suspension points on WZD

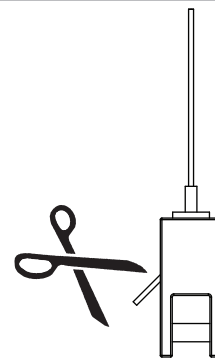
5 Mark and drill pilot hole on WZD

6 Attach Ezo Clamp to the WZD in predetermined location using the set screw supplied with clamp



7 Raise unit to desired height by depressing Ezo Clamp top nozzle and threading cable through from top (Ezo Clamp will lock when nozzle is released)

8 Hand tighten top nozzle and trim excess cable



Recommended Tools

Drill
Laser
Level
Allen Key
Tape Measure

ezoBord™

Design Driven Acoustics