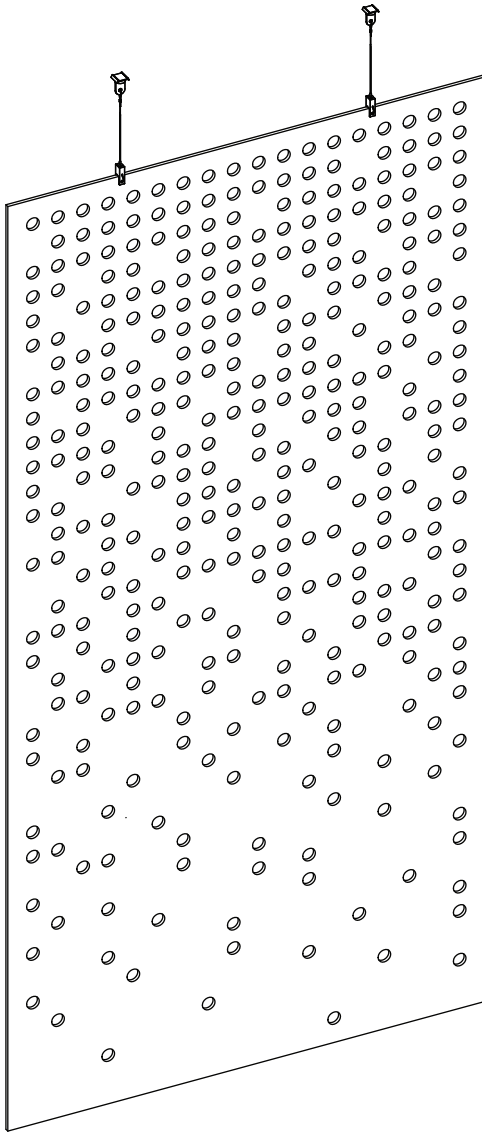


T-BAR CLIP



WORK ZONE
DIVIDER



CABLE



T BAR CLIP



PUSH CLIPS



WIRE CRIMPS

*Images reflect typical hardware options. Please refer to packing list for items & quantities specific to your order.

Thank you for your order!

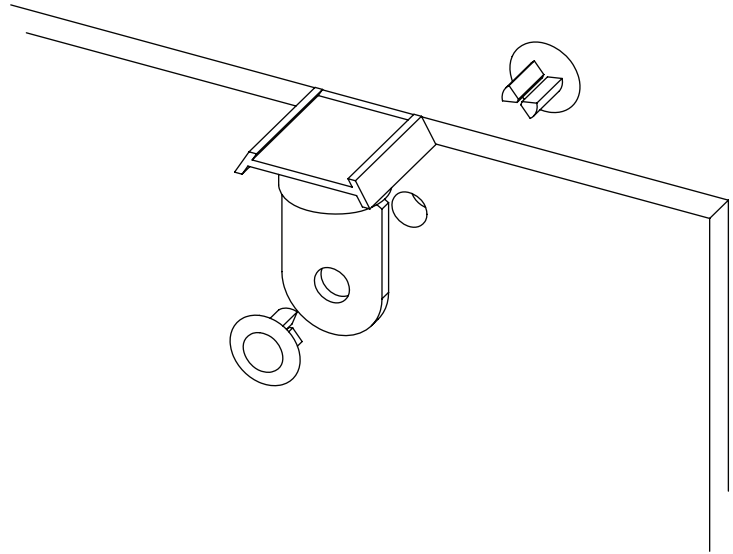
For questions or concerns regarding your order or installation
please contact customer service at 1-844-441-1122 or
via email at sales@ayrsonics.com

www.ezobord.com

T-BAR CLIP DIRECT MOUNT/SUSPENDED

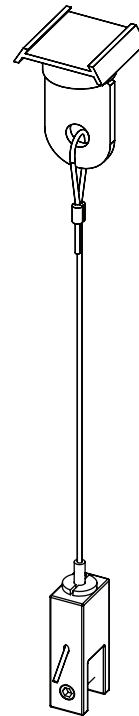
DIRECT MOUNT

- 1 Locate pickpoint locations on both ceiling and product
- 2 Mark and drill pilot hole into Ezo product
- 3 Fasten T-bar clip onto product using one pair of push clips
- 4 Snap T-bar clip onto ceiling grid T-bar



SUSPENDED

- 1 Loop one end of wire through the hole in the T-bar clip
- 2 Using crimpers (not supplied) crimp the wire together with supplied crimp
- 3 Attach wire to product hardware (as per product instructions)
- 4 Snap T-bar clip onto ceiling grid T-bar



Recommended Tools

Drill
Crimper
Tape Measure

ezoBord™

Design Driven Acoustics