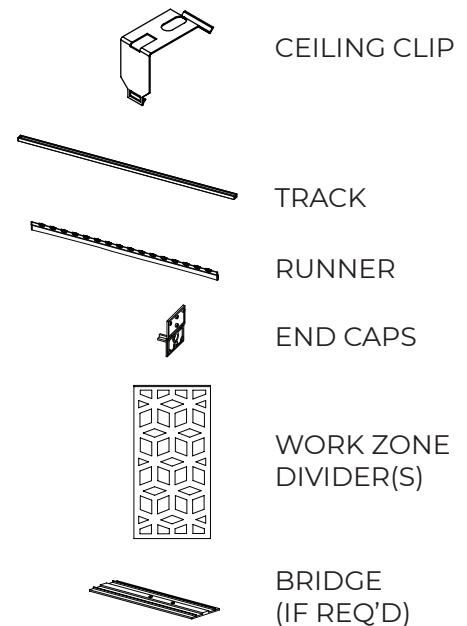
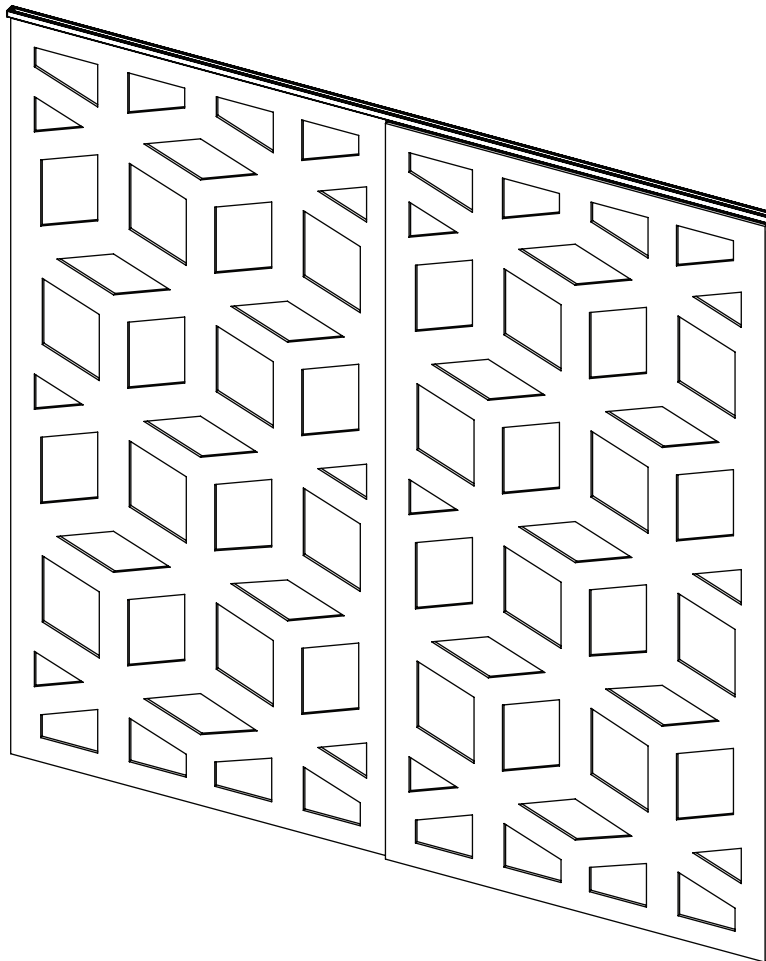




Design Driven Acoustics

SLIDING TRACK



*Images reflect typical hardware options. Please refer to packing list for items & quantities specific to your order.

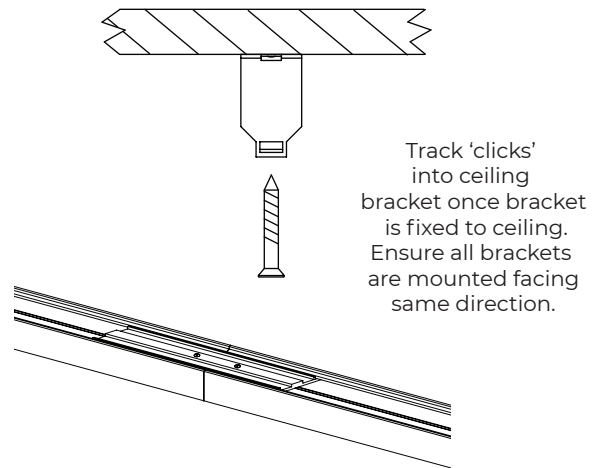
Thank you for your order!

For questions or concerns regarding your order or installation please contact customer service at 1-844-441-1122 or via email at sales@ayrsonics.com

www.ezobord.com

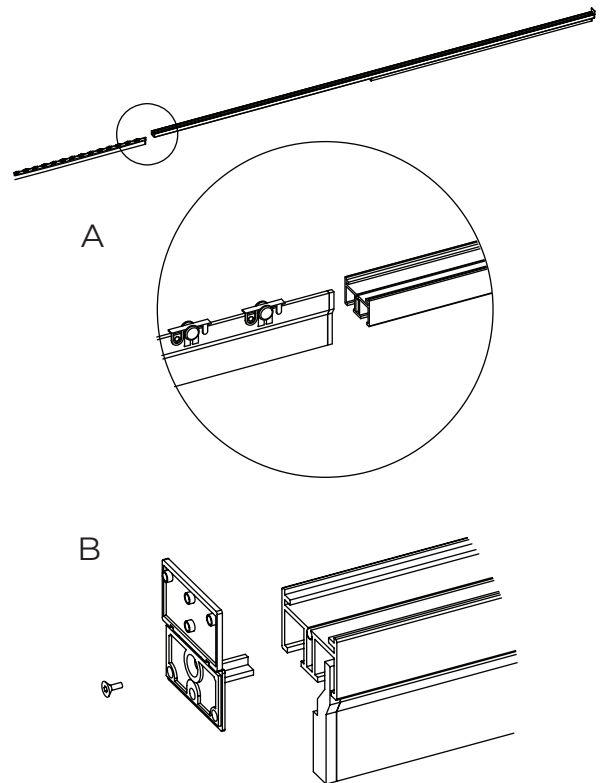
WORK ZONE DIVIDER SLIDING TRACK

- 1** Determine track locations and locate bracket positions. Install bracket to ceiling using substrate appropriate hardware (not included)
*Bracket location is recommended 4" inset from ends and every ~8" between

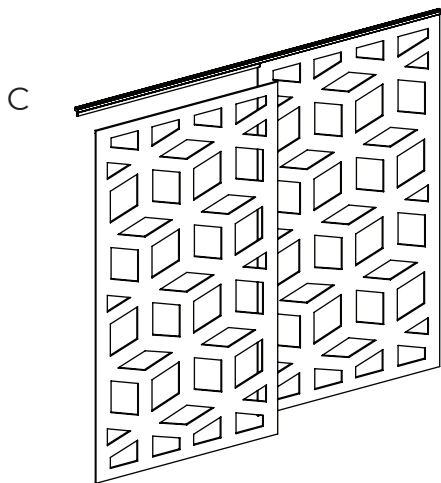


- 2** If required install supplied bridge between sections of track to extend track to full length

- 3** Slide track onto mounted brackets (A) and secure end caps onto track ends (B)



- 4** Install Work Zone Divider onto track using velcro preinstalled on runners and ezoBord panels (C)



Recommended Tools

Drill
Laser
Level
Allen Key
Tape Measure

ezoBord™
Design Driven Acoustics