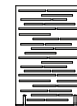
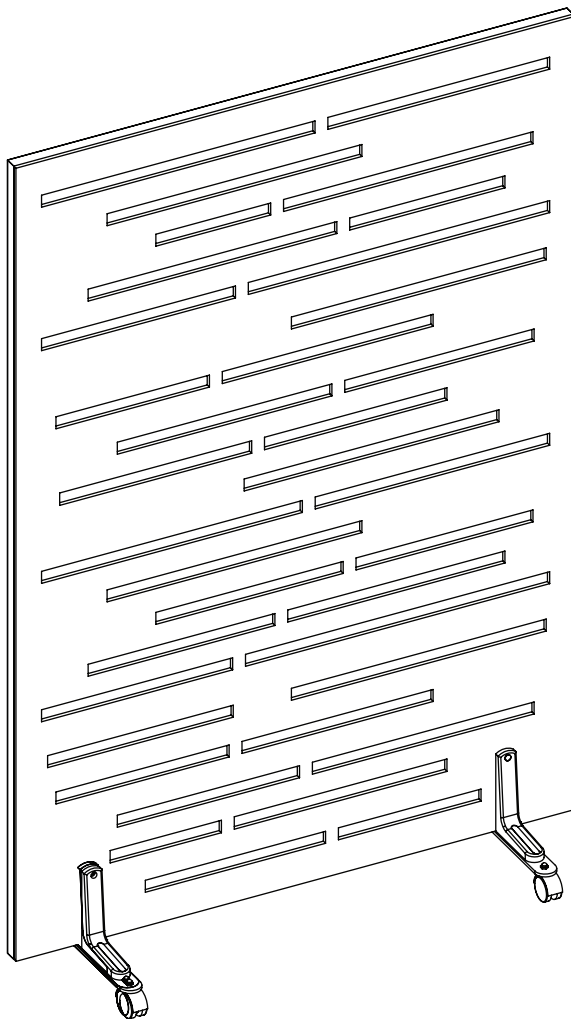
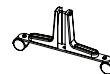


OBI MOBILE OFFICE DIVIDER



OBI PANEL



OBI BASE

*Images reflect typical hardware options. Please refer to packing list for items & quantities specific to your order.

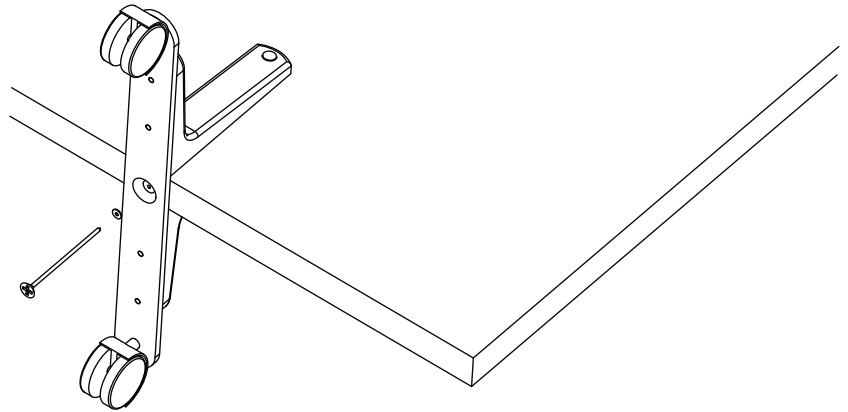
Thank you for your order!

For questions or concerns regarding your order or installation please contact customer service at 1-844-441-1122 or via email at sales@ayrsonics.com

www.ezobord.com

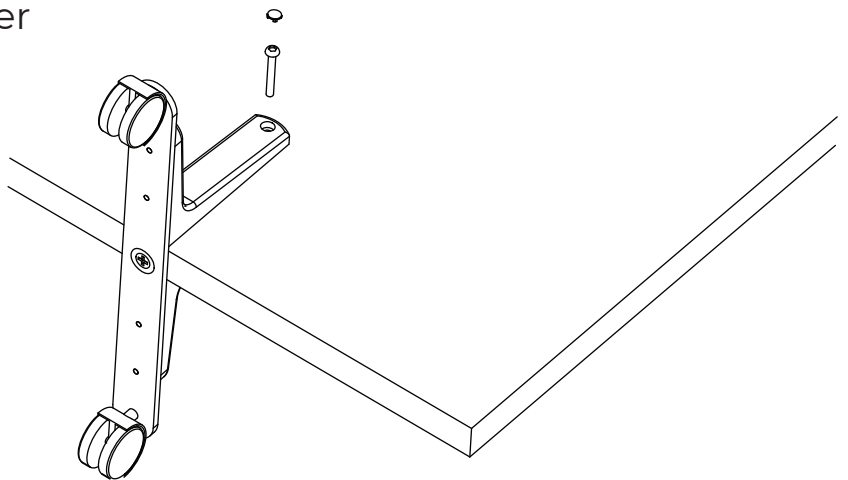
OBI MOBILE OFFICE DIVIDER ASSEMBLY

1 Align mounting hole of Obi base with pre-drilled hole on base of divider and attach using supplied washer and screw



2 Thread supplied bolt through top of Obi base and pre-drilled hole in divider and tighten

3 Using two people, lift divider into upright position



Recommended Tools
Drill

ezoBordTM
Design Driven Acoustics