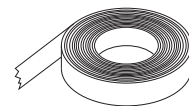
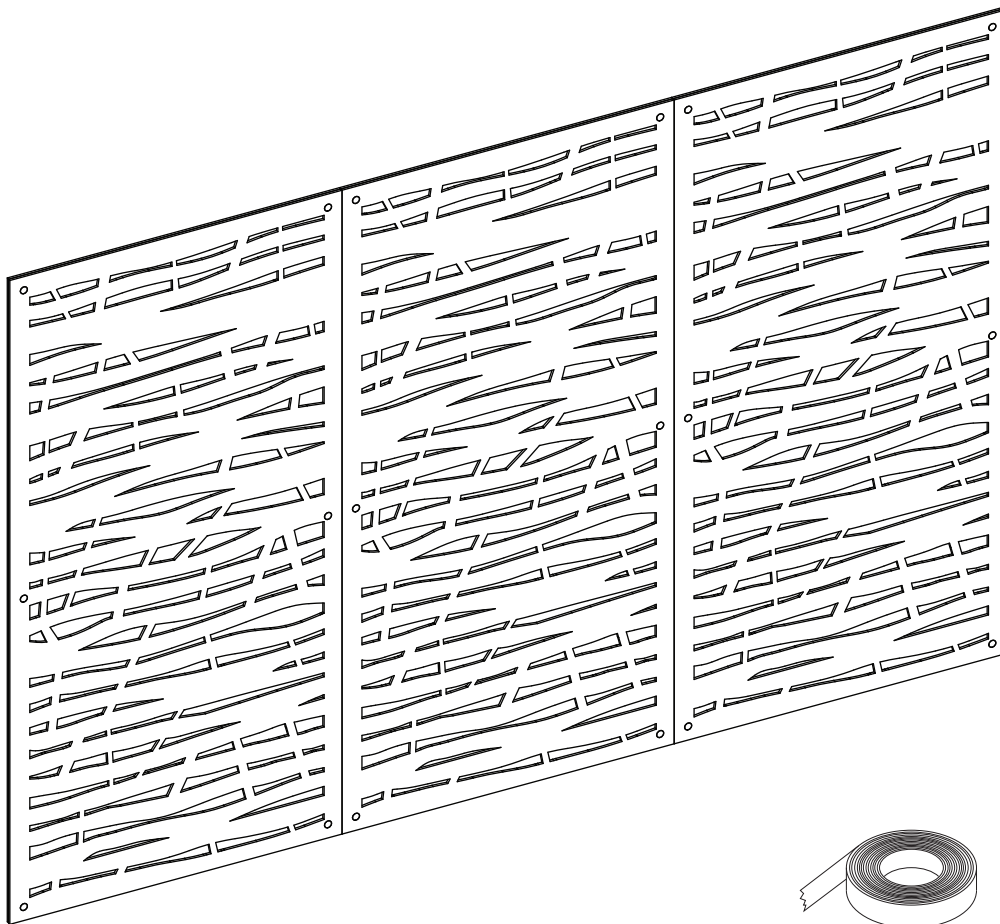


ezoBord™

Design Driven Acoustics

EZO ON EZO



EZO TAPE

*Images reflect typical hardware options. Please refer to packing list for items & quantities specific to your order.

Thank you for your order!

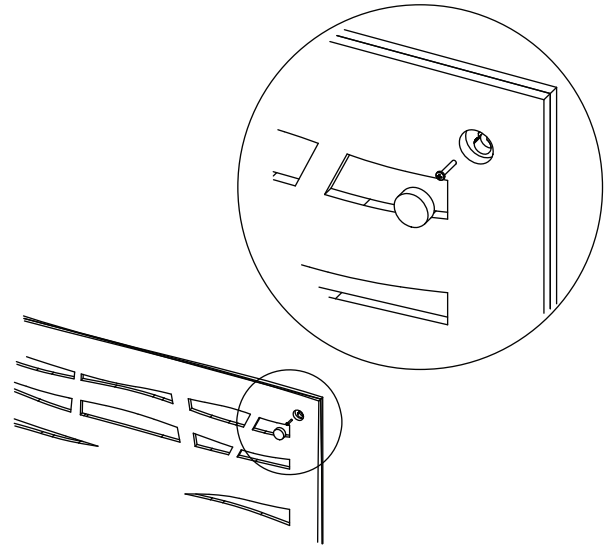
For questions or concerns regarding your order or installation
please contact customer service at 1-844-441-1122 or
via email at sales@ayrsonics.com

www.ezobord.com

EZO ON EZO WALL MOUNT

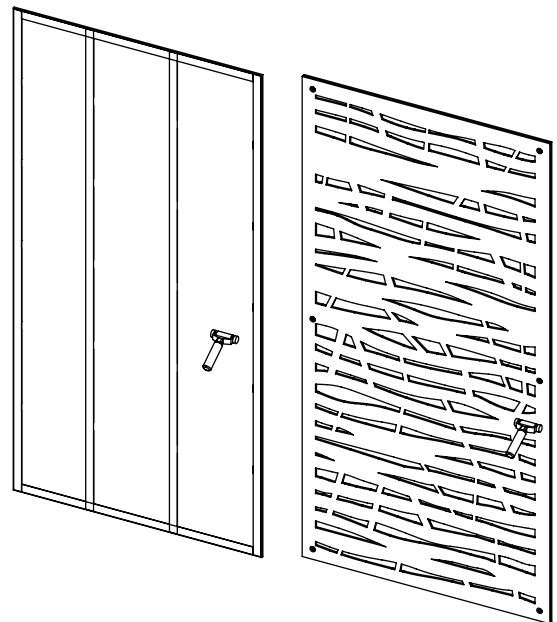
STANDARD MOUNTING

- 1 Remove and retain cut out plugs on top layer (6 locations)
- 2 Locate and mark Ezo on Ezo mounting location on wall
- 3 Attach to wall with substrate appropriate fasteners(not included)
- 4 Replace Ezo plugs over fasteners



ALTERNATIVE OPTION: EZOTAPE

- 1 Apply EzoTape to outer edges of reverse side of cut panel approximately 1/8" inset from all edges
- 2 Apply EzoTape in vertical direction every 12-16"
- 3 Use roller to burnish tape to ensure proper adhesion to EzoBord
- 4 Remove paper backing from tape and apply unit to wall
- 5 Burnish ezoBord against wall with roller to ensure proper adhesion



Recommended Tools

Laser
Level
Drill
Tape Roller
Knife

ezoBord™

Design Driven Acoustics