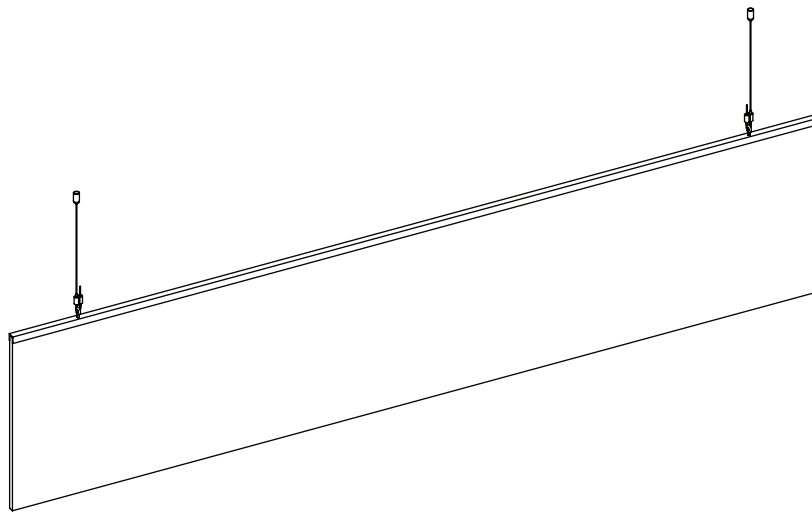


CURV CEILING BAFFLE



BAFFLE



BRASS LOCATOR



TOP CAP
(4M CABLE INCLUDED)



CABLE GRIPPER



EYE HOOK

*Images reflect typical hardware options. Please refer to packing list for items & quantities specific to your order.

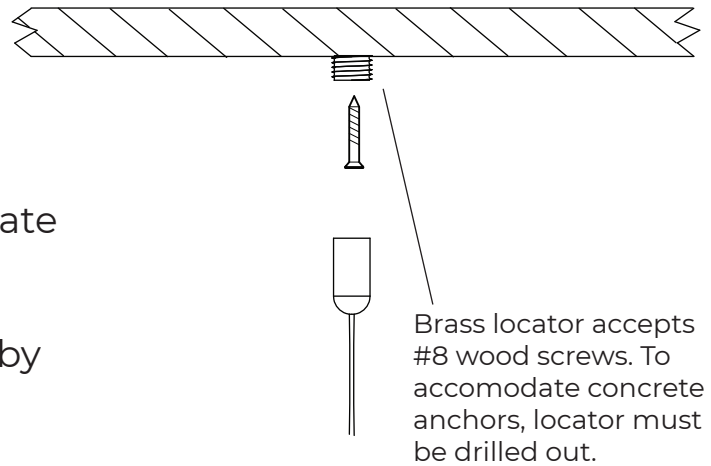
Thank you for your order!

For questions or concerns regarding your order or installation please contact customer service at 1-844-441-1122 or via email at sales@ayrsonics.com

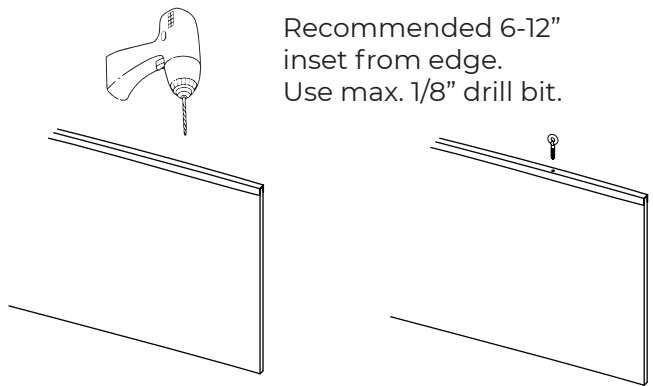
www.ezobord.com

CURV CEILING BAFFLE C CHANNEL

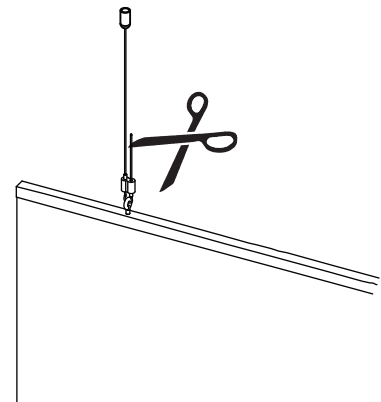
- 1** Locate available suspension points on ceiling in relation to baffle suspension locations
- 2** Mount brass locators securely onto ceiling with substrate appropriate fasteners (not included)
- 3** Thread top cap onto brass locator by hand only



- 4** Determine suspension points on baffle in relation to determined ceiling locations
- 5** Drill pilot holes for the eye hooks into the C-channel
- 6** Thread the eyehook into marked locations in C-channel



- 7** Thread suspended cable through one side of cable gripper, though affixed eye hook, and back through opposite side of cable gripper (Depress top/bottom nozzles to allow cable insertion; release to lock)
- 8** Level baffle using cable grippers and trim excess cable



Recommended Tools

Drill
Laser
Level
Allen Key
Tape Measure

ezoBord™

Design Driven Acoustics