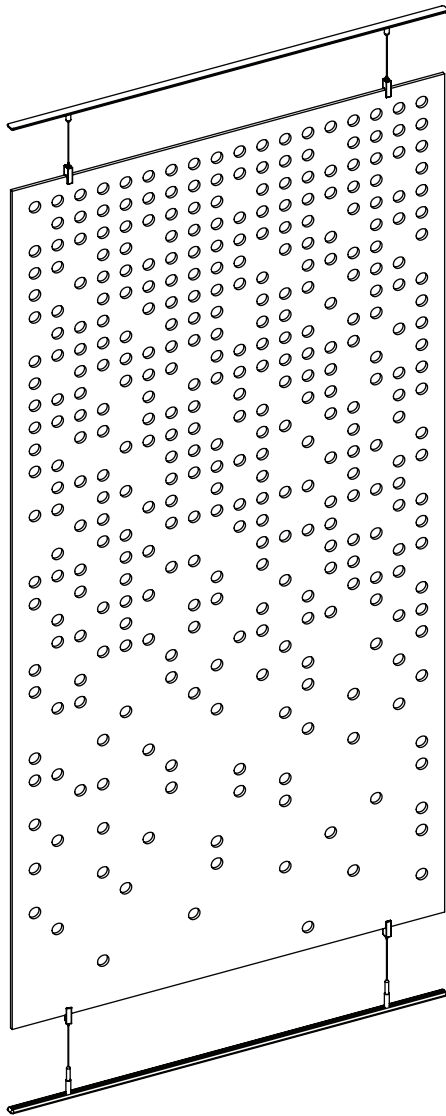




Design Driven Acoustics

COMPLETE SUSPENSION KIT



BRASS NUT



TOP CAP
(4M CABLE INCLUDED)



EZO CLAMP



SUSPENSION TRACK(S)



LOWER SUSPENSION
HOUSING*
(4M CABLE INCLUDED)

*Images reflect typical hardware options. Please refer to packing list for items & quantities specific to your order.

Thank you for your order!

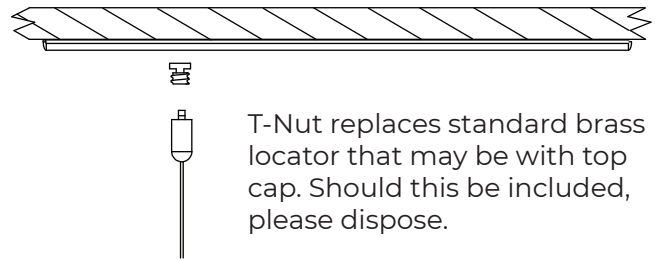
For questions or concerns regarding your order or installation
please contact customer service at 1-844-441-1122 or
via email at sales@ayrsonics.com

www.ezobord.com

WORK ZONE DIVIDER COMPLETE SUSPENSION KIT

1 Locate available pick points on ceiling and floor* in relation to WZD suspension locations (Recommended 6-12" inset)

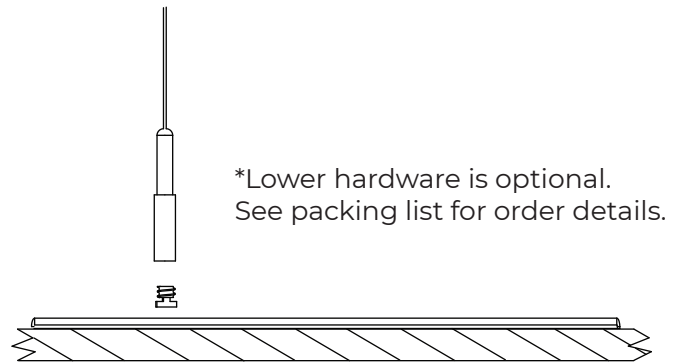
2 Drill pilot holes in top rail where mechanical fasteners will be used to mount the suspension track



3 Install the suspension track on the ceiling and floor* using substrate appropriate fasteners (not included)

4 Insert brass T-nut into suspension track and rotate approximately 30 degrees

5 Thread top cap and bottom cap onto T-nut and hand tighten



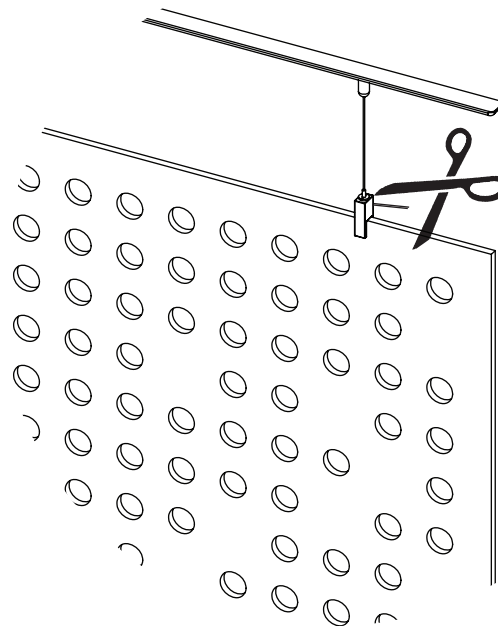
6 Mark and drill pilot holes for Ezo Clamp on WZD

7 Attach Ezo Clamp to the WZD in predetermined location, using the set screw supplied

8 Raise unit to desired height by depressing top nozzle and threading cable through from top (Ezo Clamp will lock when nozzle is released) If lower hardware is spec'd, complete top and repeat steps 6-10 for bottom hardware

9 Hand tighten top nozzle to lock cable in place.

10 Trim excess cable



Recommended Tools

Drill
Level
Tape Measure
Laser
Allan Key

ezoBordTM
Design Driven Acoustics