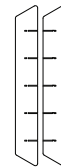
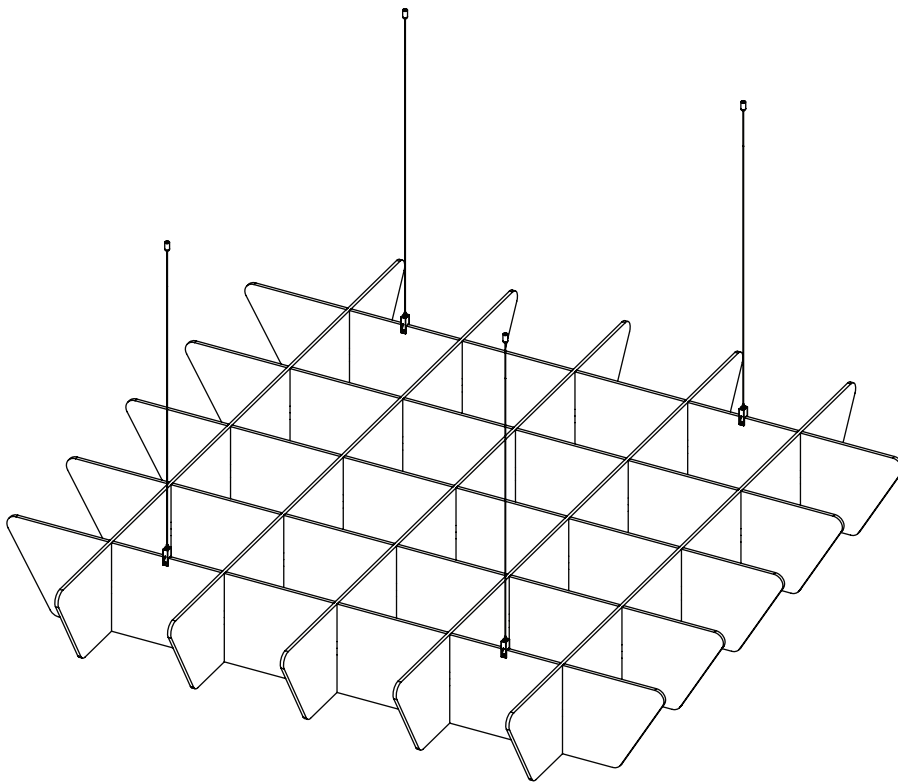


## GRID CANOPY/ACOUSTICAL NET



BOTTOM/TOP FINS



BRASS LOCATOR



TOP CAP  
(4M CABLE INCLUDED)



EZO CLAMP

\*Images reflect typical hardware options. Please refer to packing list for items & quantities specific to your order.

**Thank you for your order!**

For questions or concerns regarding your order or installation please contact customer service at 1-844-441-1122 or via email at [sales@ayrsonics.com](mailto:sales@ayrsonics.com)

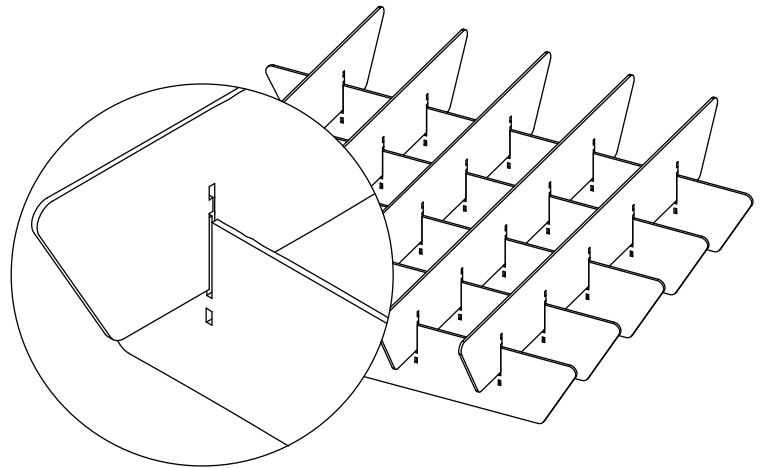
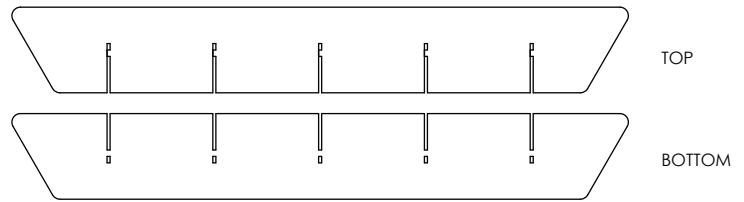
[www.ezobord.com](http://www.ezobord.com)

# GRID CANOPY/ACOUSTICAL NET EZO CLAMP SUSPENSION

**1** Clear appropriate sized floor space below install location  
\*For multiple modules confirm location with included plans

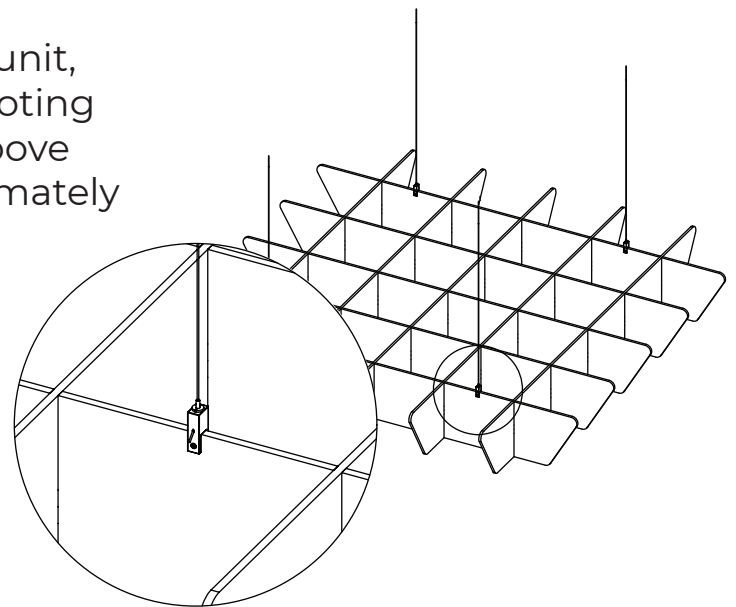
**2** Unpackage and arrange fins in X and Y piles

**3** Begin assembling units by securing fins X and Y perpendicular to one another. **The completed unit should only be suspended from bottom fins.**



**4** Determine suspension points on unit, ensuring these are evenly spaced noting suspension availability on ceiling above (Minimum four points with approximately 1 point per ten square feet)

**5** Pre-drill holes for Ezo Clamps onto suspension points



## Recommended Tools

Drill  
Level  
Laser  
Tape Measure  
Allan Key

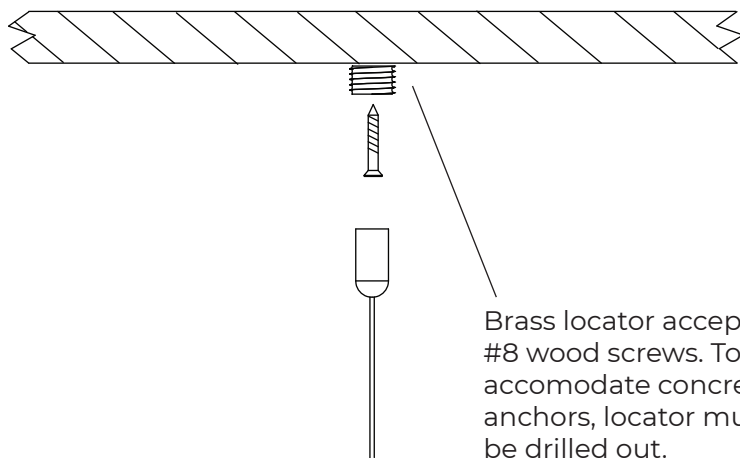
ezoBord™

Design Driven Acoustics

# GRID CANOPY/ACOUSTICAL NET EZO CLAMP SUSPENSION

**6** Mount brass locators securely to ceiling at locations corresponding to points on unit using substrate appropriate hardware (not supplied)

**7** Thread top cap onto brass locator and hand tighten only



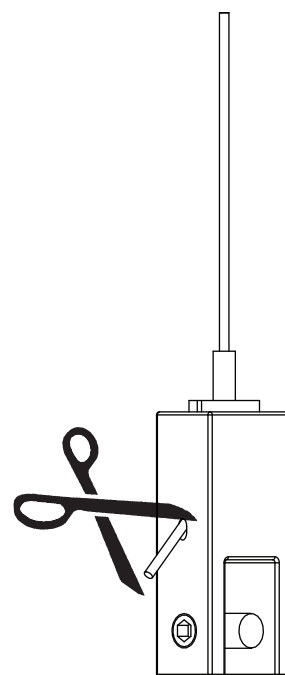
**8** Secure Ezo Clamps to predrilled holes

**9** Raise unit to suspended cables and insert cables into Ezo Clamp. Depress top nozzle of Ezo Clamp to loosen, cable will lock when released

**10** Use Ezo Clamps to level unit  
\*If overall canopy/net dimensions exceed 8' raise each module separately and secure dovetail ends once level

**11** Trim excess cable

**12** Manually adjust bottom edges to straighten grid



## Recommended Tools

Drill  
Level  
Laser  
Tape Measure  
Allan Key

**ezoBord**<sup>™</sup>  
Design Driven Acoustics

ezoBord™

Design Driven Acoustics