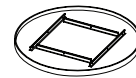
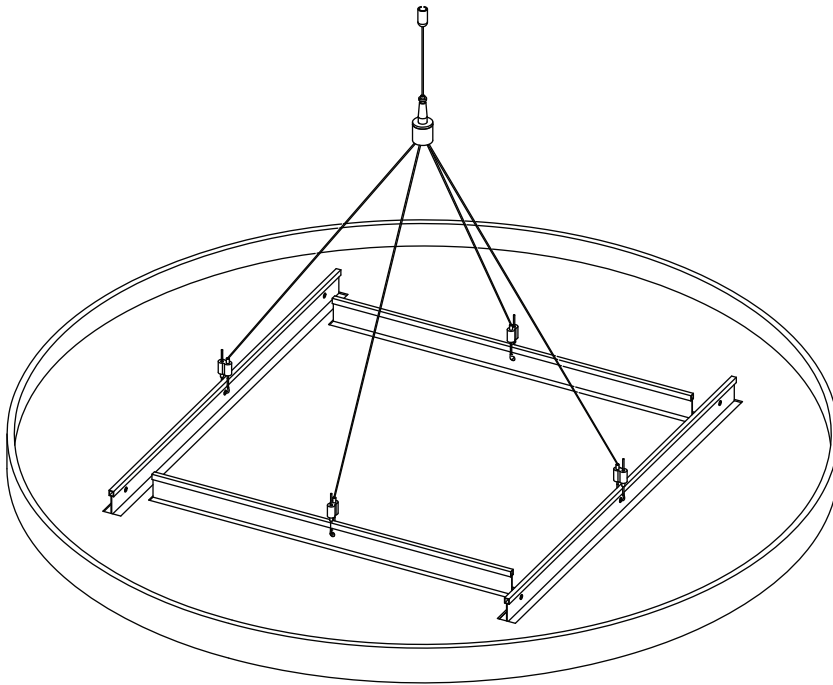


## CIRCLE GEO CLOUD



EZO CLOUD



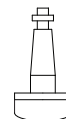
BRASS LOCATOR



UPPER SUSPENSION  
HARDWARE



CABLE GRIPPER



FOUR WAY COUPLER

\*Images reflect typical hardware options. Please refer to packing list for items & quantities specific to your order.

**Thank you for your order!**

For questions or concerns regarding your order or installation  
please contact customer service at 1-844-441-1122 or  
via email at [sales@ayrsonics.com](mailto:sales@ayrsonics.com)

[www.ezobord.com](http://www.ezobord.com)

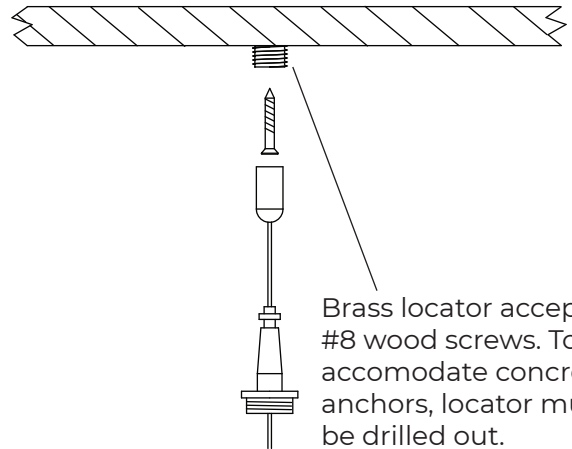
# CIRCLE GEO CLOUD FOUR WAY COUPLER

**1** Locate pick points and mount brass locator securely onto ceiling with substrate appropriate fasteners (not included)

**2** Thread top cap onto brass locator and tighten by hand only

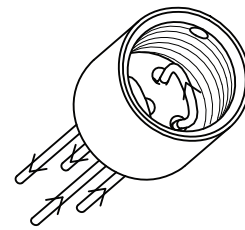
**3** Unscrew top and bottom of four way coupler

**4** Thread cable from upper suspension housing through upper portion of four way coupler (Depress top nozzle to allow cable insertion, release to lock)



Brass locator accepts #8 wood screws. To accommodate concrete anchors, locator must be drilled out.

**5** Thread two lengths of cable evenly through bottom half of coupler (Right)

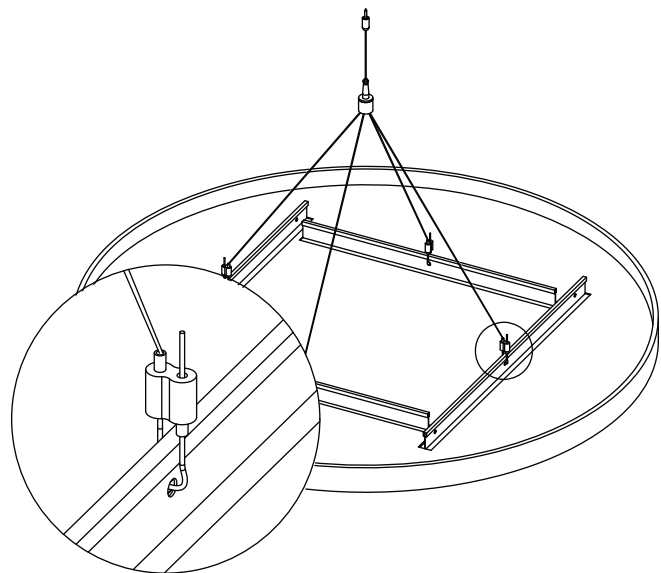


**6** Thread one end of cable through one side of cable gripper then through the appropriate hole of T Bar on cloud and return through opposite side of cable gripper (Depress top/bottom nozzles to allow cable insertion; release to lock)

**Repeat for all four lengths of cable**

**7** Tighten cables evenly until cloud is at desired height and level and trim excess cable

**9** Lock upper and lower sections of four-way coupler using supplied set screw



## Recommended Tools

Drill  
Laser  
Level  
Tape Measure  
Allan Key

# ezoBord™

Design Driven Acoustics