

### 1\_UNPACK

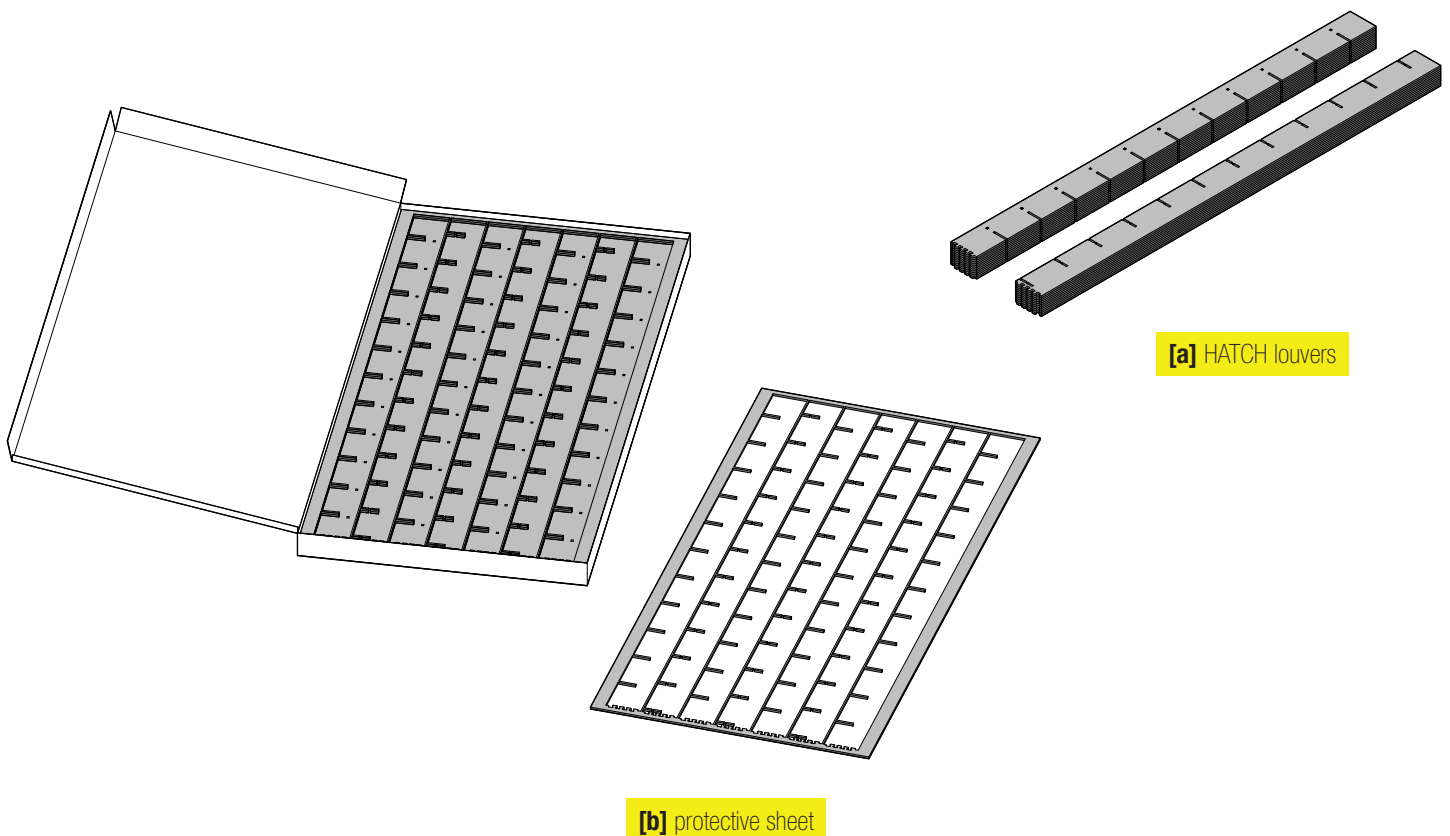
Take the louvers [a] for first module out of the box, they are nested inside a protective sheet [b] (please recycle after project completion) and labeled as follows:

(module#\_louver#\_axis)

Arrange the louvers corresponding to the module in question into two piles, one X and one Y.

Boxes will contain no more than 2 modules at a time.

*\*generalized design depicted. While actual system will vary, no individual HATCH module will ever exceed 7'-9" x 7'-9"*



# universal assembly + installation instructions

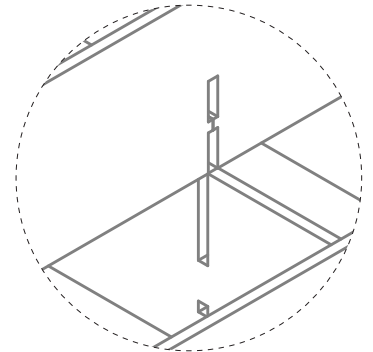
## 2\_ASSEMBLE MODULE

Begin assembling individual modules [c] by securing the louvers perpendicular to one another in the method depicted below.

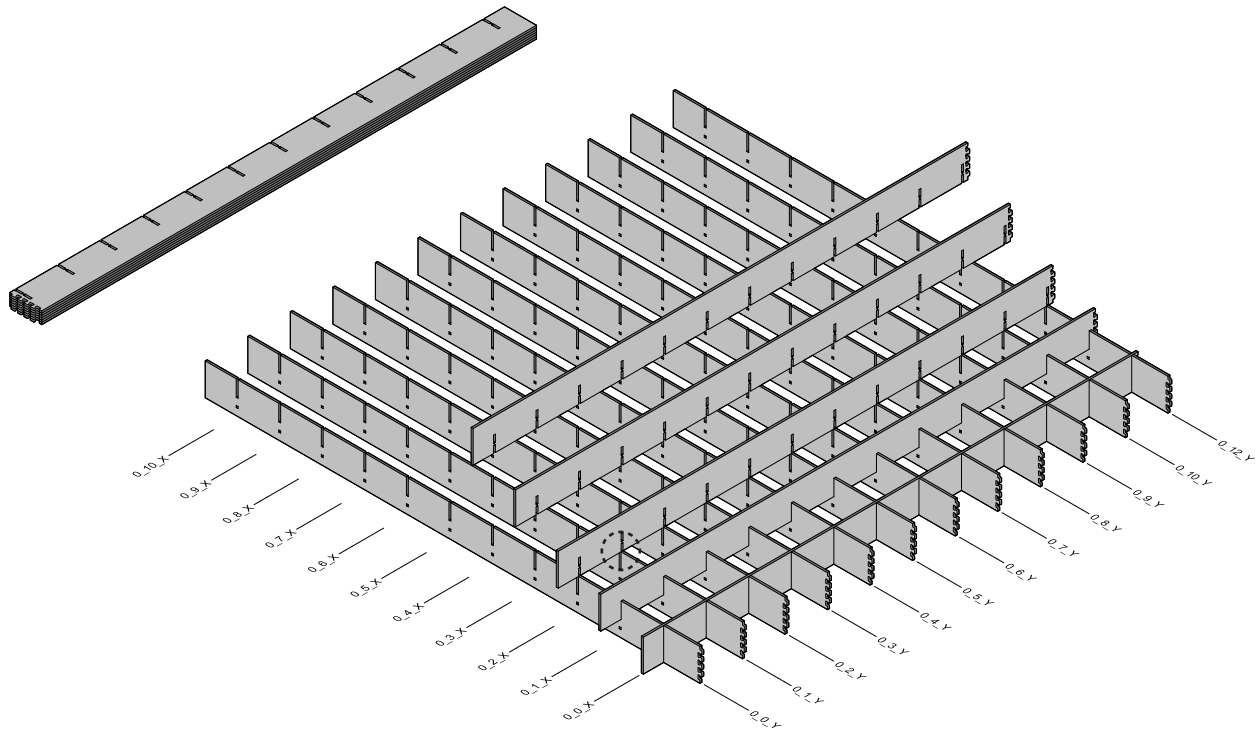
Ensure the locking mechanism [d] on the X louvers is securely fixed within the receiving end on the Y louvers. This will prevent the slats from coming undone as the module is completed.

Hatch systems with 8" density will never have more than 23 pieces per module.

Please consult your final schedule to determine exact quantities.



[d] locking mechanism



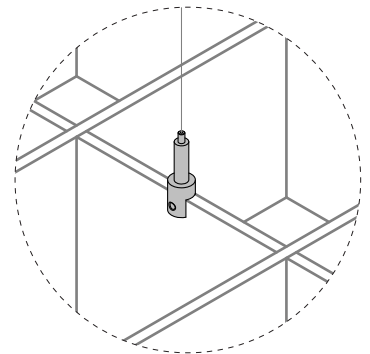
[c] HATCH module

# universal assembly + installation instructions

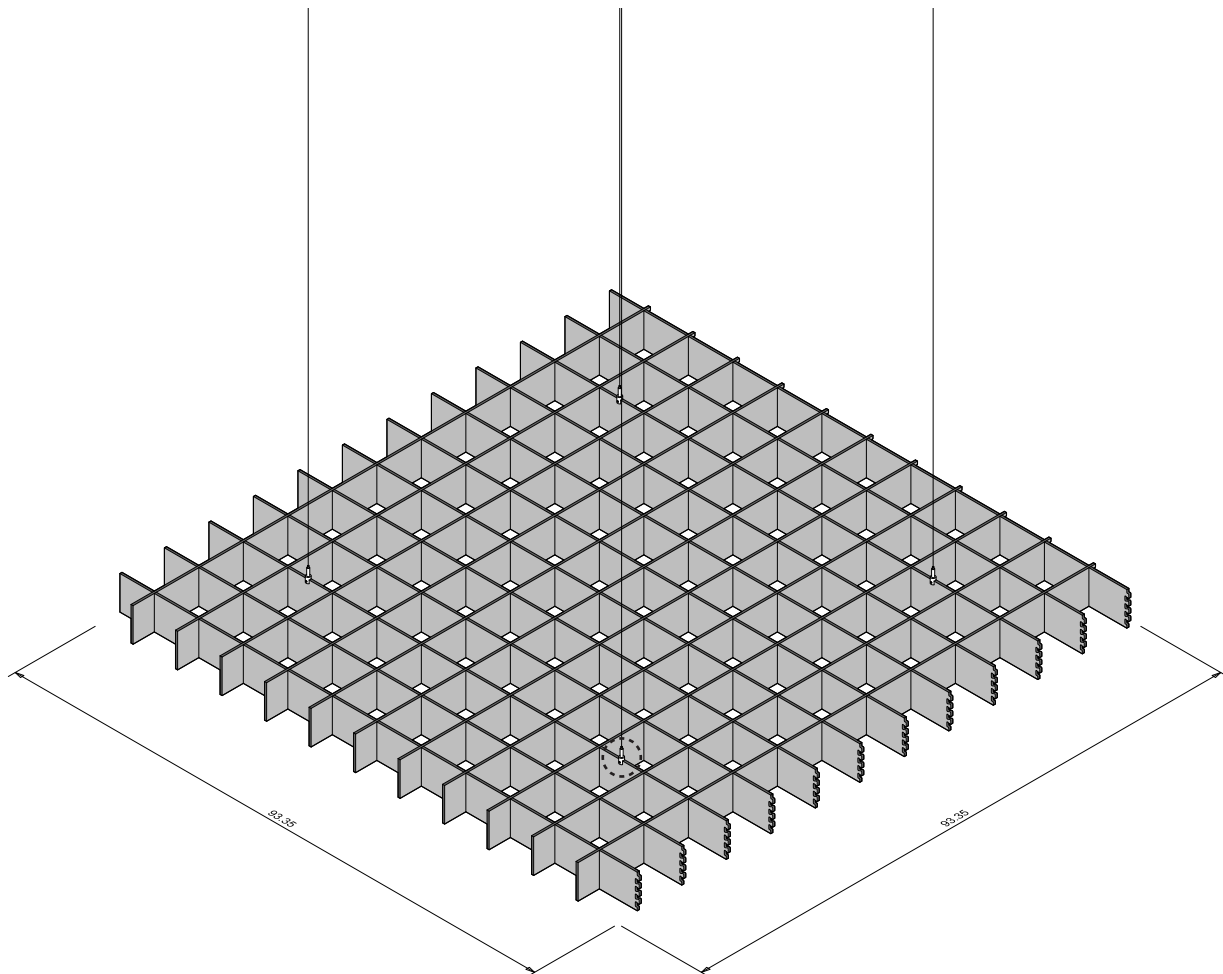
## 3 PREPARE TO HANG

Attach cable grippers [e] to precut holes along select Y louvers and insert 1/16" aircraft cable (cable provided by GC).

This may require the module to be lifted to a height where the cables can reach the grippers.



[e] cable grippers



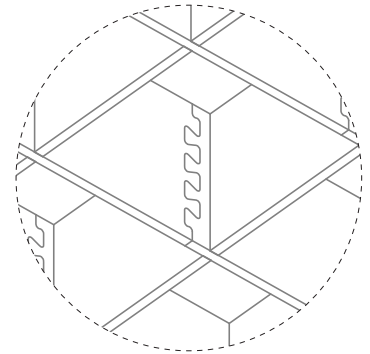
# universal assembly + installation instructions

## 4 RAISE MODULES INTO PLACE

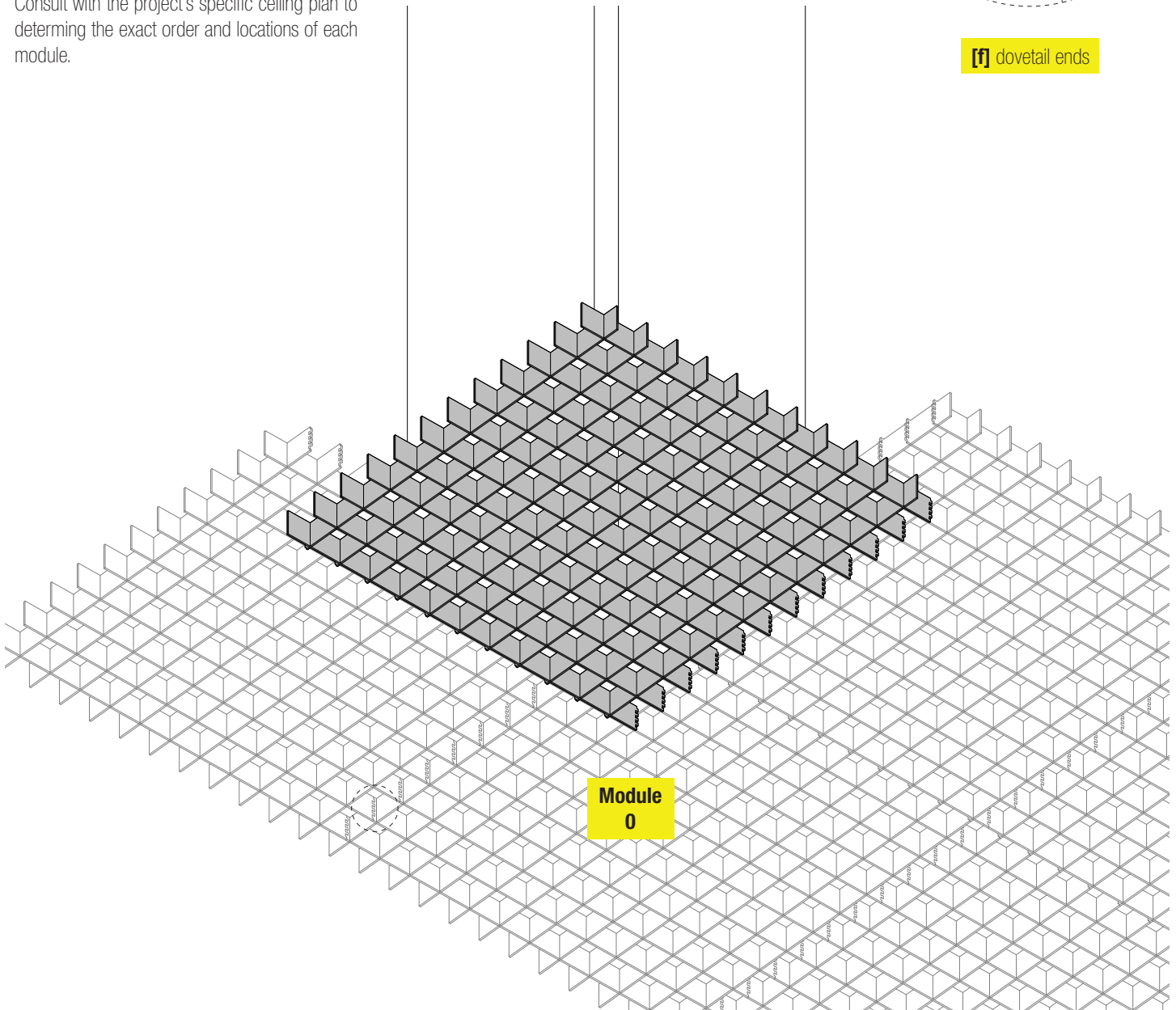
Raise the module to desired height by depressing on the gripper's top nozzle and pulling down on the cable. Gripper will lock after the nozzle is released.

As modules are set in place, secure them laterally to one another by affixing dovetail end to dovetail end [f].

Consult with the project's specific ceiling plan to determine the exact order and locations of each module.



[f] dovetail ends



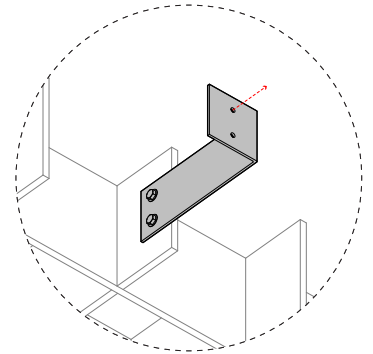
Module  
0

# universal assembly + installation instructions

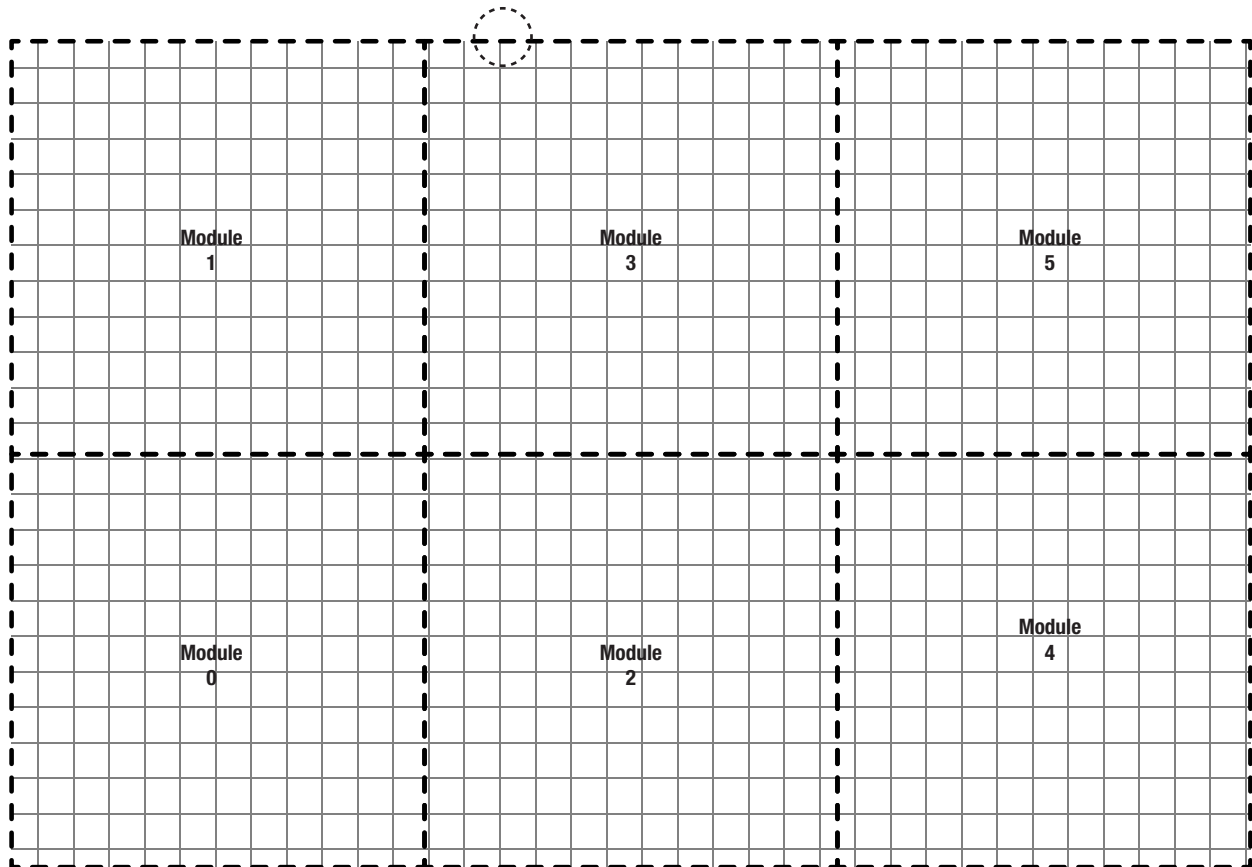
## 5\_SYSTEM OVERVIEW

HATCH ceiling system [g] will be a collection of discrete modules connected together to form a larger surface. The number of modules and overall shape will be unique to the space in question.

Upon request sway brackets [h] can be supplied which anchor the HATCH Ceiling System to the adjacent walls in order to mitigate any lateral movement on the system.



[h] sway brackets



[g] HATCH system